



# AT&T WIC Ordering Guide



**1-800-453-0050**

[www.emiproducts.com](http://www.emiproducts.com)

11230 Neeshaw Drive, Houston, Texas 77065

## AT&T WIC [WALK IN CABINET]

**AT&T Standards determine the selection of foundation type.**

1. Helical - 92% locations nationwide (standard option).
2. Concrete Pier/Gravity Mount - Rocky terrain/mountain top locations (where helical is not an option due to ground conditions).
3. Concrete Pad - Existing pad (no new pouring). Space available on the existing pad due to decommission of legacy enclosures, relocation.



## 80" x 80" WIC Gravity/Pad Mount

### Part Number

**AT&T-** CEQ.53686      **EMI-** [1000-0000-0103](#) ↓  
↓ [Click the EMI part number to download drawing.](#)

### Description

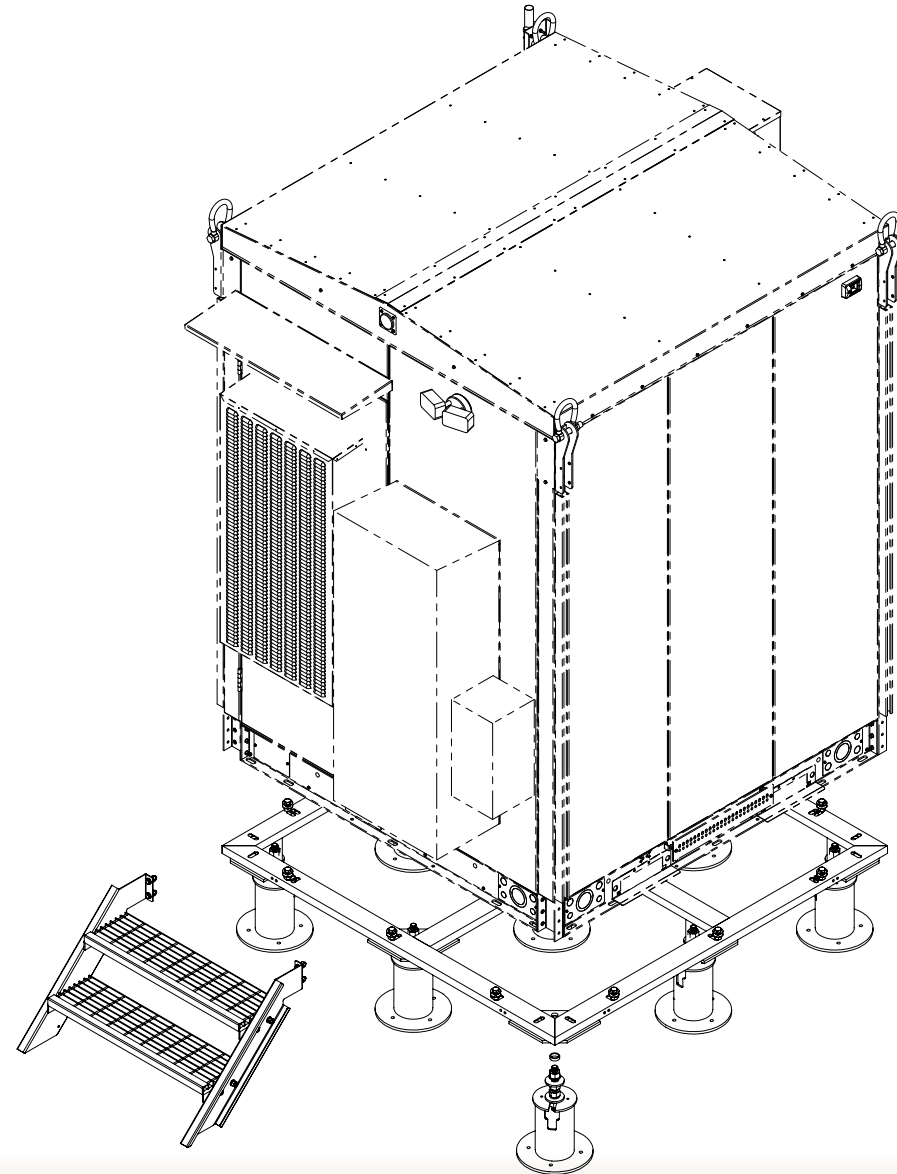
80" x 80" WIC gravity/pad mount platform kit, 2-step stair with leveling hardware.

### Part Number

**AT&T-** CEQ.46388      **EMI-** [1000-0000-0162](#) ↓  
↓ [Click the EMI part number to download drawing.](#)

### Description

10' x 10' WIC gravity/pad mount platform kit, 2-step stair with leveling hardware.



## WIC Helical Mount

### Part Number

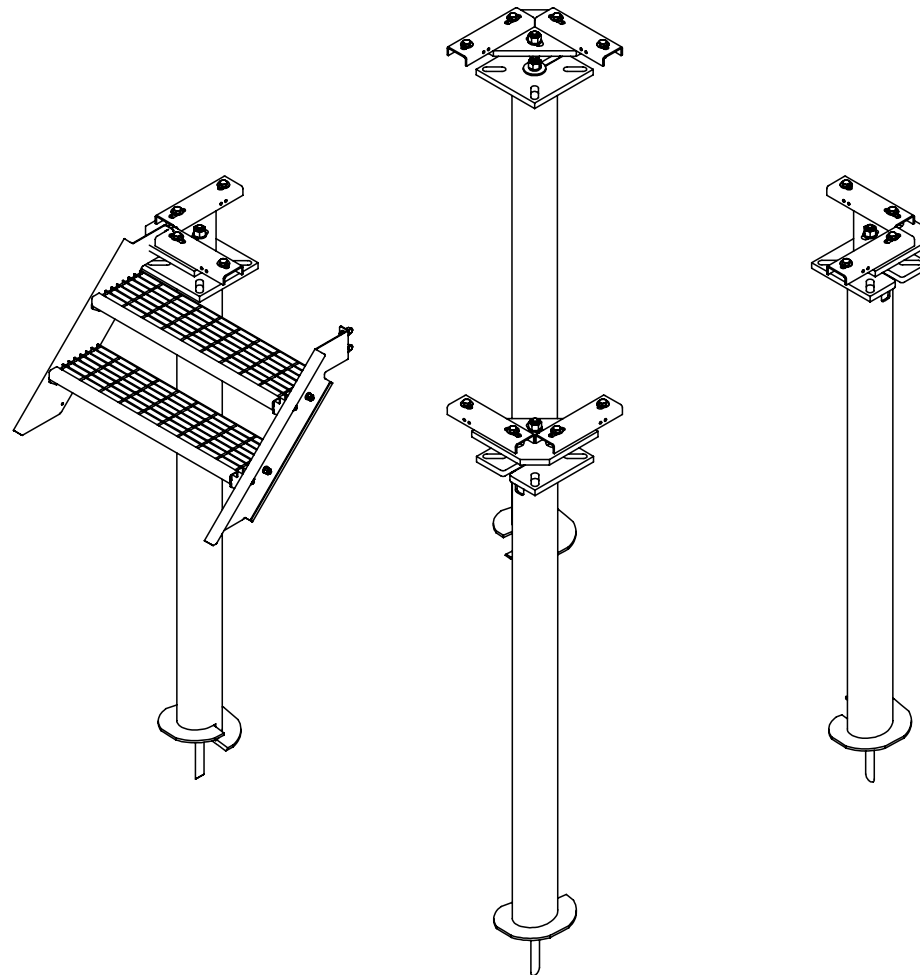
AT&T- CEQ.53680

EMI- [1000-0000-0101](#) ↓

↓ [Click the EMI part number to download drawing.](#)

### Description

WIC corner mount helical kit, 2-step stair with leveling hardware.



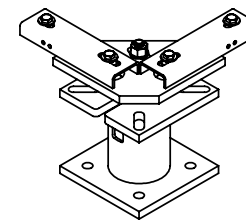
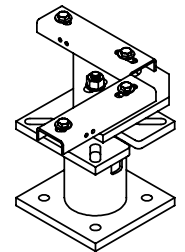
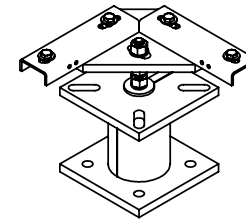
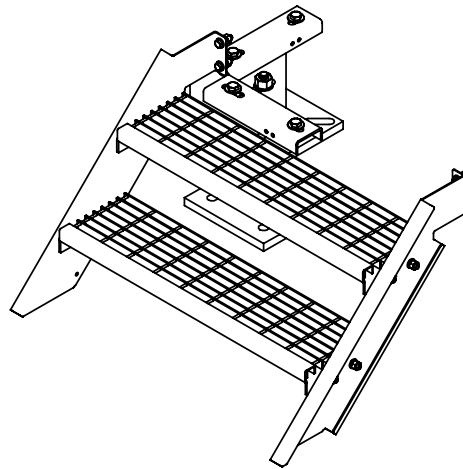
## WIC Concrete Mount

### Part Number

AT&T- CEQ.53655      EMI- [1007-0000-0012](#) ↓  
↓ [Click the EMI part number to download drawing.](#)

### Description

WIC pad mount corner kit, 17" mounting feet, 2-step stair with leveling hardware.





## WUC/Combo Elevated Platform **Required** Conversion Kit & Optional Canopy [0146]

Part Number	Elevation
AT&T- CEQ.53671    EMI- 1000-0010-0146-04 ↓	4 ft
AT&T- CEQ.53666    EMI- 1000-0010-0146-06 ↓	6 ft
AT&T- CEQ.53656    EMI- 1000-0010-0146-08 ↓	8 ft
AT&T- CEQ.53659    EMI- 1000-0010-0146-10 ↓	10 ft
AT&T- CEQ.53664    EMI- 1000-0010-0146-12 ↓	12 ft
AT&T- CEQ.57514    EMI- 1000-0010-0146-14 ↓	14 ft
AT&T- CEQ.57484    EMI- 1000-0010-0146-16 ↓	16 ft
AT&T- CEQ.57168    EMI- 1000-0010-0146-18 ↓	18 ft
AT&T- CEQ.57166    EMI- 1000-0010-0146-20 ↓	20 ft

↓ Click the EMI part number to download drawing.

**Description**  
Elevated WUC-genset combo platform kit, 230"x145" up to 30KW Genset on the back. Includes 10" dia. helical foundations and entry stair. 90 degree landing included in all elevations

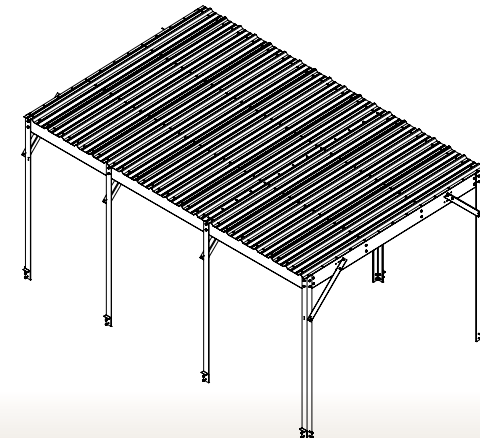
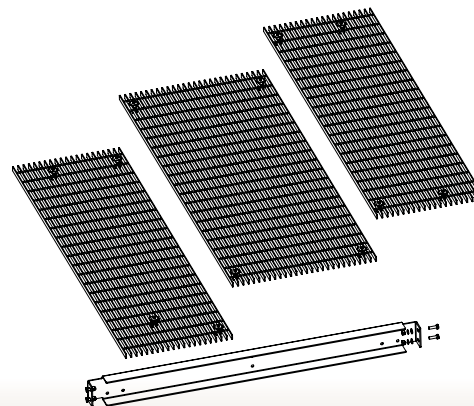
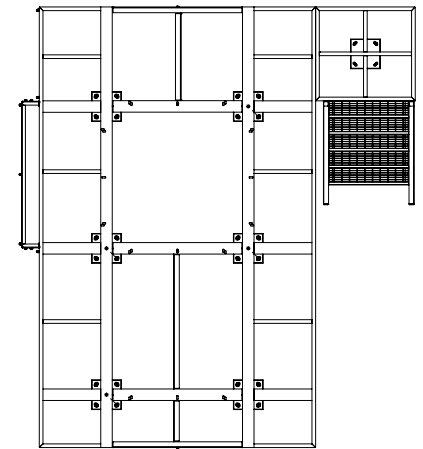
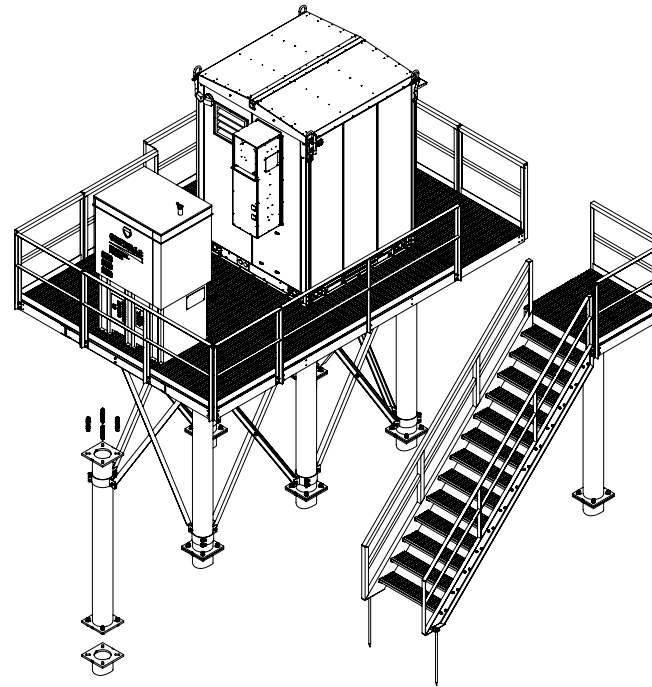
**Special Notes**  
**MUST BE ORDERED WITH CONVERSION KIT PART # 1000-0010-0160 - Grating KIT**

Part Number
AT&T- CEQ.53677    EMI- 1000-0010-0160 ↓

**Description**  
Conversion kit to modify 80" x 80" genset platform to fully grated for WUC or cabinet installation.

Part Number
AT&T- CEQ.57485    EMI- 1001-0030-0036 ↓

**Description**  
184" x 117" bolt together canopy for WIC and WUC outdoor platform series 1000-0010-0146 and 1000-0010-0557.



## WUC/Combo Elevated Platform **Required** Conversion Kit & Optional Canopy [0557]

Part Number	Elevation
AT&T- CEQ.59829    EMI- 1000-0010-0557-04 ↓	4 ft
AT&T- CEQ.59822    EMI- 1000-0010-0557-06 ↓	6 ft
AT&T- CEQ.59814    EMI- 1000-0010-0557-08 ↓	8 ft
AT&T- CEQ.59831    EMI- 1000-0010-0557-10 ↓	10 ft
AT&T- CEQ.59827    EMI- 1000-0010-0557-12 ↓	12 ft
AT&T- CEQ.59824    EMI- 1000-0010-0557-14 ↓	14 ft
AT&T- CEQ.59825    EMI- 1000-0010-0557-16 ↓	16 ft
AT&T- CEQ.59832    EMI- 1000-0010-0557-18 ↓	18 ft
AT&T- CEQ.59833    EMI- 1000-0010-0557-20 ↓	20 ft

↓ Click the EMI part number to download drawing.

**Description**  
Elevated WUC-genset combo platform kit, 230"x145" up to 30KW Genset on the back. Includes entry stair. 90 degree landing included in all elevations. Does not include helical foundations.

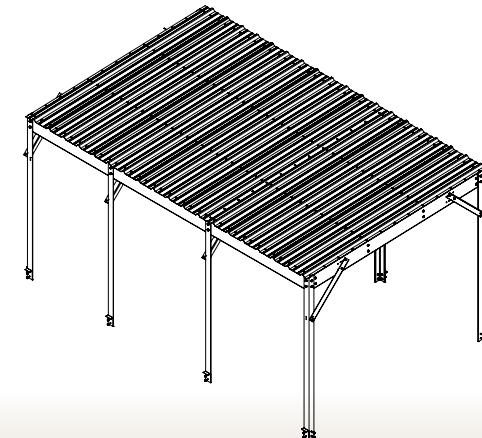
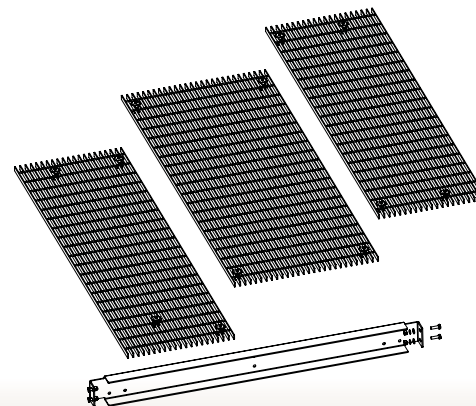
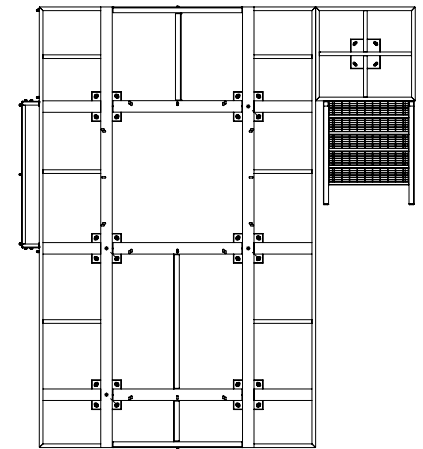
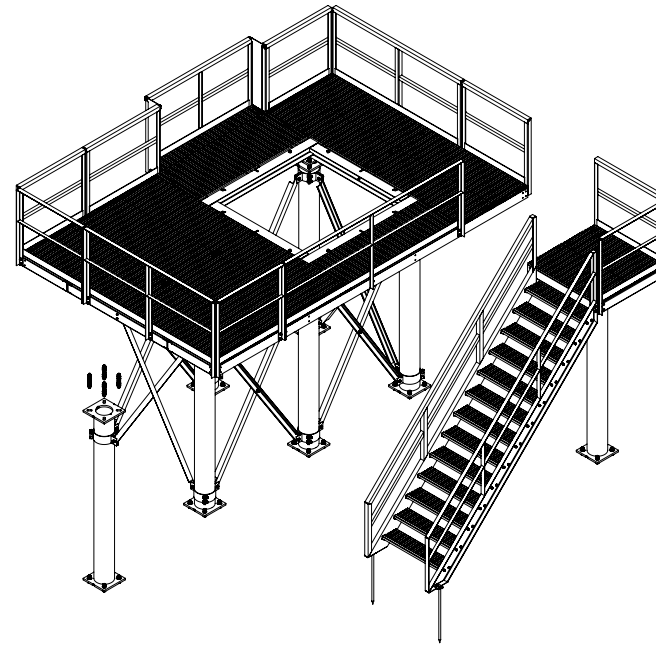
**Special Notes**  
**MUST BE ORDERED WITH CONVERSION KIT PART # 1000-0010-0160 - Grating KIT**

Part Number
AT&T- CEQ.53677    EMI- 1000-0010-0160 ↓

**Description**  
Conversion kit to modify 80" x 80" genset platform to fully grated for WUC or cabinet installation.

Part Number
AT&T- CEQ.57485    EMI- 1001-0030-0036 ↓

**Description**  
184" x 117" bolt together canopy for WIC and WUC outdoor platform series 1000-0010-0146 and 1000-0010-0557.



## 166" x 80" WIC/Combo Gravity Mount Skid Platform

### Part Number

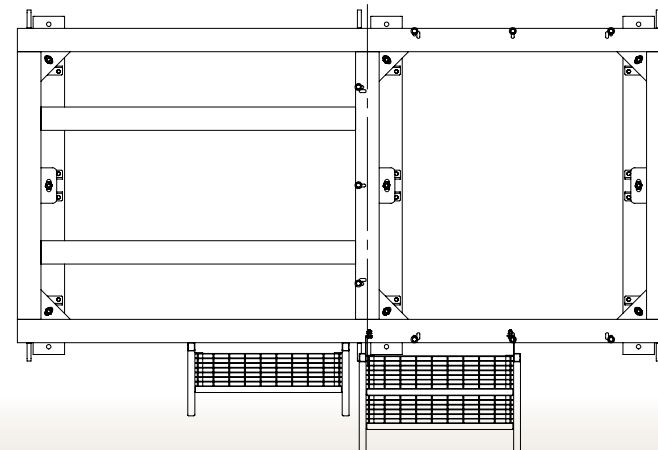
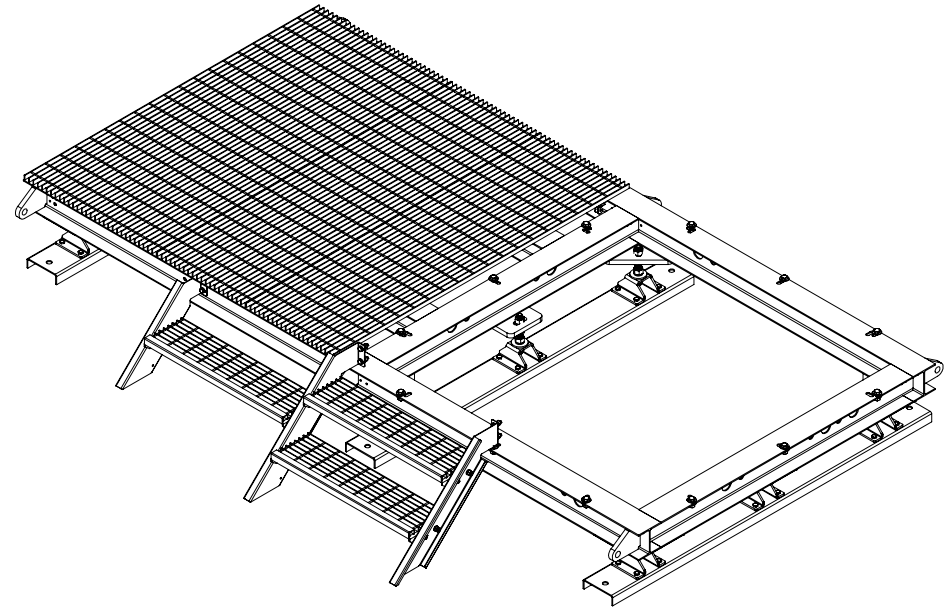
AT&T- CEQ.53657

EMI- [1000-0010-0123](#) ↓

↓ [Click the EMI part number to download drawing.](#)

### Description

WIC-genset combo 166"x 80" gravity mount platform for 80"x80" WIC and genset. Includes 2-step, 3-step stair and gravity mount foundations





## 166" x 80" WIC/Combo Helical Mount Grade Platform

### Part Number

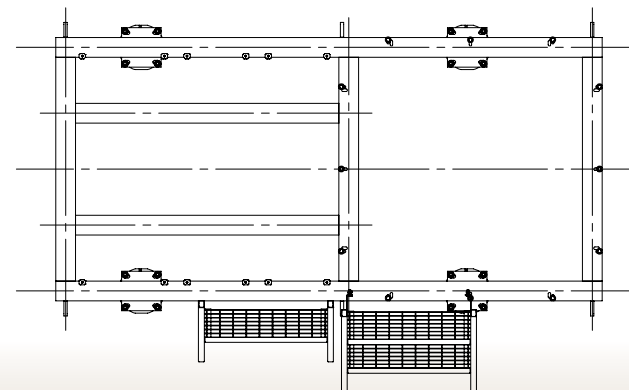
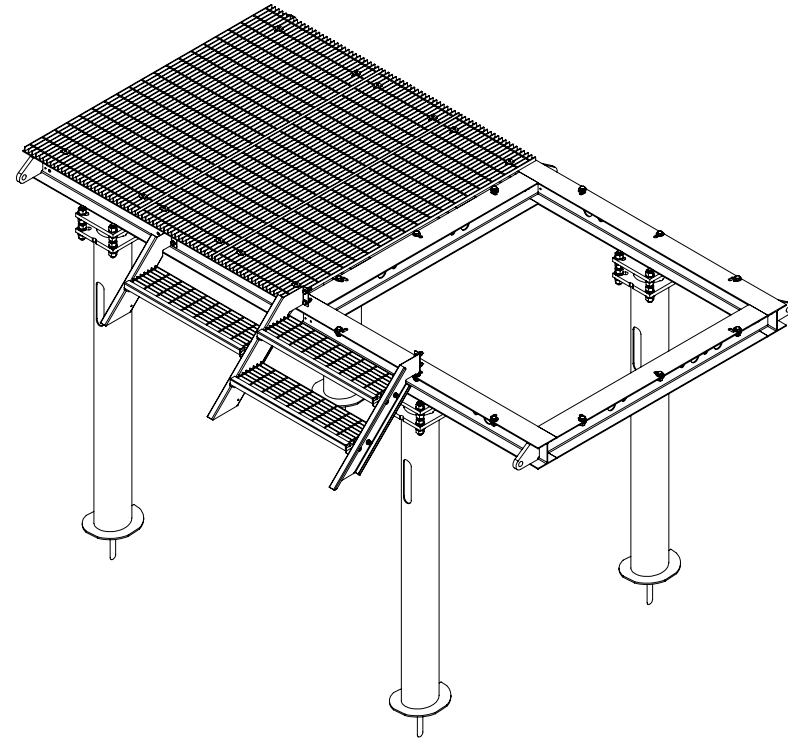
AT&T- CEQ.53663

EMI- [1000-0010-0122](#) ↓

↓ [Click the EMI part number to download drawing.](#)

### Description

WIC-genset combo 166"x 80" helical mount platform and genset. Includes 1-step, 2-step entry stair and helical foundations.



## 302" X 130" Pad Mount Solar Canopy Frame for WIC and Generator

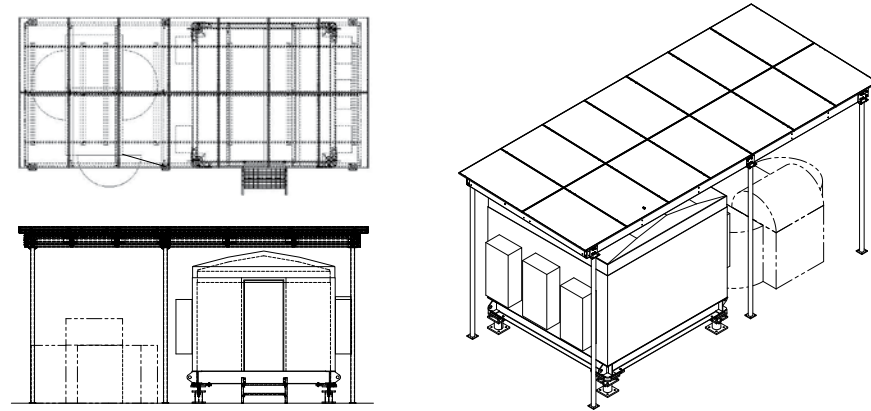
### Part Number

**AT&T**- CEQ.59800      **EMI**- [1001-0030-0097](#) ↓

↓ [Click the EMI part number to download drawing.](#)

### Description

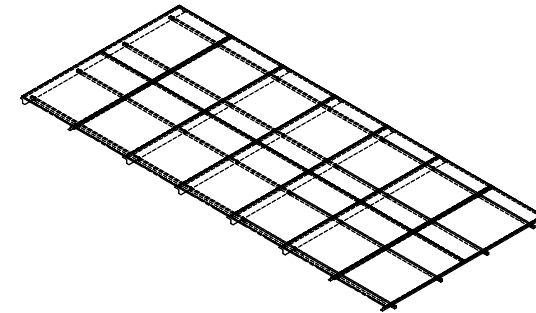
302" x 130" Concrete mounted canopy frame kit for use with solar panel mounting kits below.



## Solar Panel Mount Kit for 1001-0030-0097

Panel Model	Part Number	MAX QTY
MITREX M405-LH3 / M405-I3H	<b>AT&amp;T</b> - CEQ.60944 <b>EMI</b> - <a href="#">1000-0030-0241</a> ↓	14

↓ [Click the EMI part number to download drawing.](#)



## WIC Concrete Mount

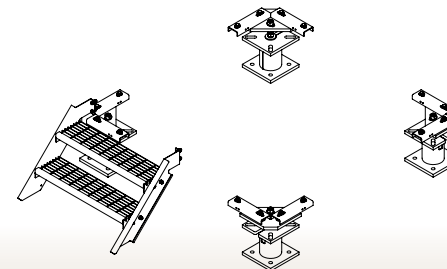
### Part Number

**AT&T**- CEQ.53655      **EMI**- [1007-0000-0012](#) ↓

↓ [Click the EMI part number to download drawing.](#)

### Description

WIC pad mount corner kit, 17" mounting feet, 2-step stair with leveling hardware.



## WUC/Combo Elevated Platform **Required** Conversion Kit & Optional Canopy [0146]

Part Number	Elevation
<a href="#">AT&amp;T- CEQ.53671</a> <a href="#">EMI- 1000-0010-0146-04</a> ↓	4 ft
<a href="#">AT&amp;T- CEQ.53666</a> <a href="#">EMI- 1000-0010-0146-06</a> ↓	6 ft
<a href="#">AT&amp;T- CEQ.53656</a> <a href="#">EMI- 1000-0010-0146-08</a> ↓	8 ft
<a href="#">AT&amp;T- CEQ.53659</a> <a href="#">EMI- 1000-0010-0146-10</a> ↓	10 ft
<a href="#">AT&amp;T- CEQ.53664</a> <a href="#">EMI- 1000-0010-0146-12</a> ↓	12 ft
<a href="#">AT&amp;T- CEQ.57514</a> <a href="#">EMI- 1000-0010-0146-14</a> ↓	14 ft
<a href="#">AT&amp;T- CEQ.57484</a> <a href="#">EMI- 1000-0010-0146-16</a> ↓	16 ft
<a href="#">AT&amp;T- CEQ.57168</a> <a href="#">EMI- 1000-0010-0146-18</a> ↓	18 ft
<a href="#">AT&amp;T- CEQ.57166</a> <a href="#">EMI- 1000-0010-0146-20</a> ↓	20 ft

↓ [Click the EMI part number to download drawing.](#)

### Description

Elevated WUC-genset combo platform kit, 230"x145" up to 30KW Genset on the back. Includes 10" dia. helical foundations and entry stair. 90 degree landing included in all elevations

### Special Notes

**MUST BE ORDERED WITH CONVERSION KIT PART # 1000-0010-0160 - Grating KIT**

### Part Number

[AT&T- CEQ.53677](#)    [EMI- 1000-0010-0160](#) ↓

### Description

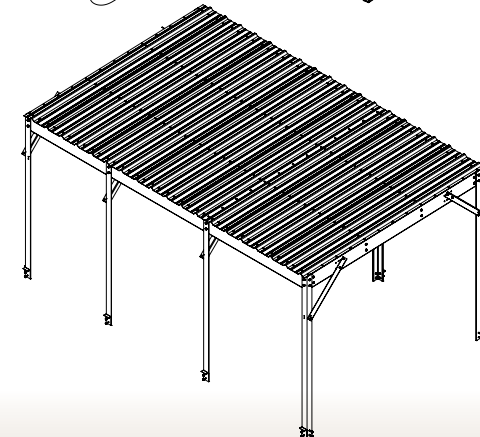
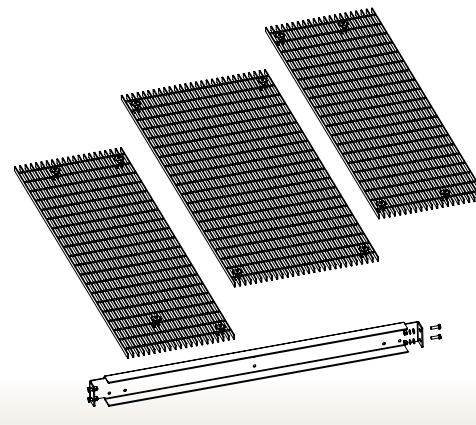
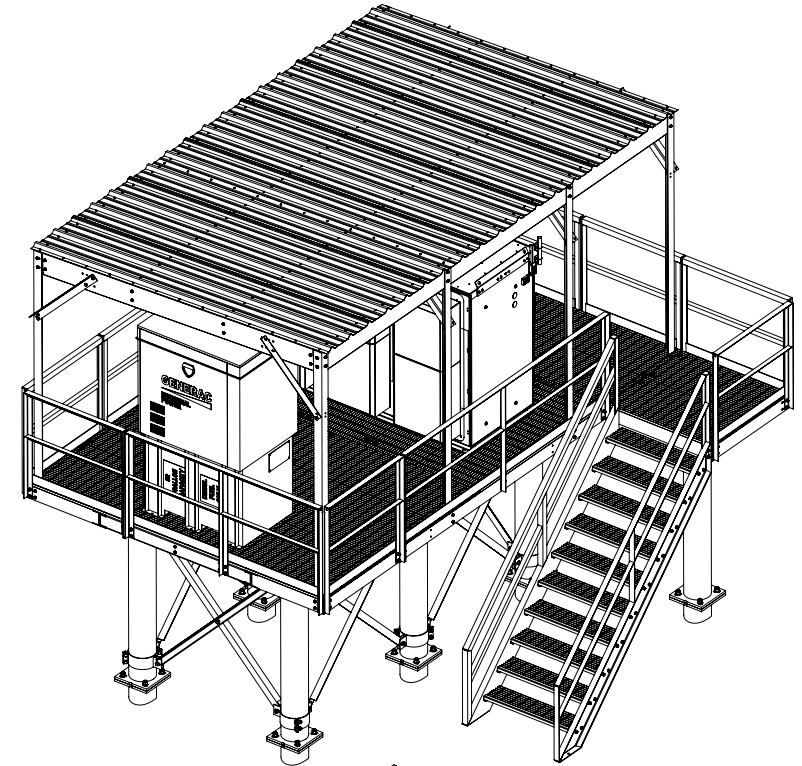
Conversion kit to modify 80" x 80" genset platform to fully grated for WUC or cabinet installation.

### Part Number

[AT&T- CEQ.57485](#)    [EMI- 1001-0030-0036](#) ↓

### Description

184" x 117" bolt together canopy for WIC and WUC outdoor platform series 1000-0010-0146 and 1000-0010-0557.



## WUC/Combo Elevated Platform **Required** Conversion Kit & Optional Canopy [0557]

Part Number	Elevation
AT&T- CEQ.59829    EMI- <a href="#">1000-0010-0557-04</a> ↓	4 ft
AT&T- CEQ.59822    EMI- <a href="#">1000-0010-0557-06</a> ↓	6 ft
AT&T- CEQ.59814    EMI- <a href="#">1000-0010-0557-08</a> ↓	8 ft
AT&T- CEQ.59831    EMI- <a href="#">1000-0010-0557-10</a> ↓	10 ft
AT&T- CEQ.59827    EMI- <a href="#">1000-0010-0557-12</a> ↓	12 ft
AT&T- CEQ.59824    EMI- <a href="#">1000-0010-0557-14</a> ↓	14 ft
AT&T- CEQ.59825    EMI- <a href="#">1000-0010-0557-16</a> ↓	16 ft
AT&T- CEQ.59832    EMI- <a href="#">1000-0010-0557-18</a> ↓	18 ft
AT&T- CEQ.59833    EMI- <a href="#">1000-0010-0557-20</a> ↓	20 ft

↓ Click the EMI part number to download drawing.

### Description

Elevated WUC-genset combo platform kit, 230"x145" up to 30KW Genset on the back. Includes entry stair. 90 degree landing included in all elevations. Does not include helical foundations.

### Special Notes

**MUST BE ORDERED WITH CONVERSION KIT PART # 1000-0010-0160 - Grating KIT**

### Part Number

AT&T- CEQ.53677    EMI- [1000-0010-0160](#) ↓

### Description

Conversion kit to modify 80" x 80" genset platform to fully grated for WUC or cabinet installation.

### Part Number

AT&T- CEQ.57485    EMI- [1001-0030-0036](#) ↓

### Description

184" x 117" bolt together canopy for WIC and WUC outdoor platform series 1000-0010-0146 and 1000-0010-0557.

