



AT&T WIC Ordering Guide



1-800-453-0050

www.emiproducts.com

11230 Neeshaw Drive, Houston, Texas 77065

AT&T WIC [WALK IN CABINET]

AT&T Standards determine the selection of foundation type.

1. Helical - 92% locations nationwide (standard option).
2. Concrete Pier/Gravity Mount - Rocky terrain/mountain top locations (where helical is not an option due to ground conditions).
3. Concrete Pad - Existing pad (no new pouring). Space available on the existing pad due to decommission of legacy enclosures, relocation.



80" x 80" WIC Gravity/Pad Mount

Part Number

AT&T- CEQ.53686 **EMI-** [1000-0000-0103](#) ↓
↓ [Click the EMI part number to download drawing.](#)

Description

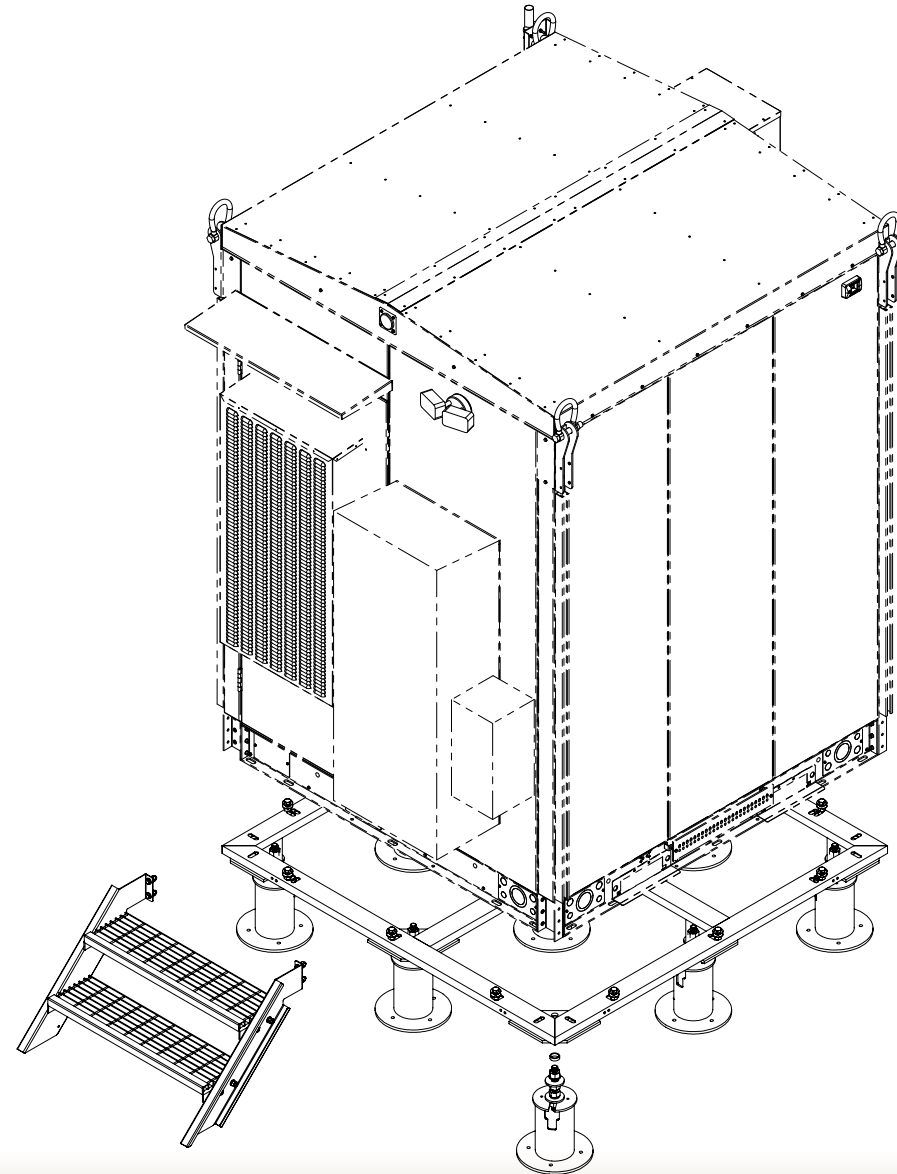
80" x 80" WIC gravity/pad mount platform kit, 2-step stair with leveling hardware.

Part Number

AT&T- CEQ.46388 **EMI-** [1000-0000-0162](#) ↓
↓ [Click the EMI part number to download drawing.](#)

Description

10' x 10' WIC gravity/pad mount platform kit, 2-step stair with leveling hardware.



WIC Helical Mount

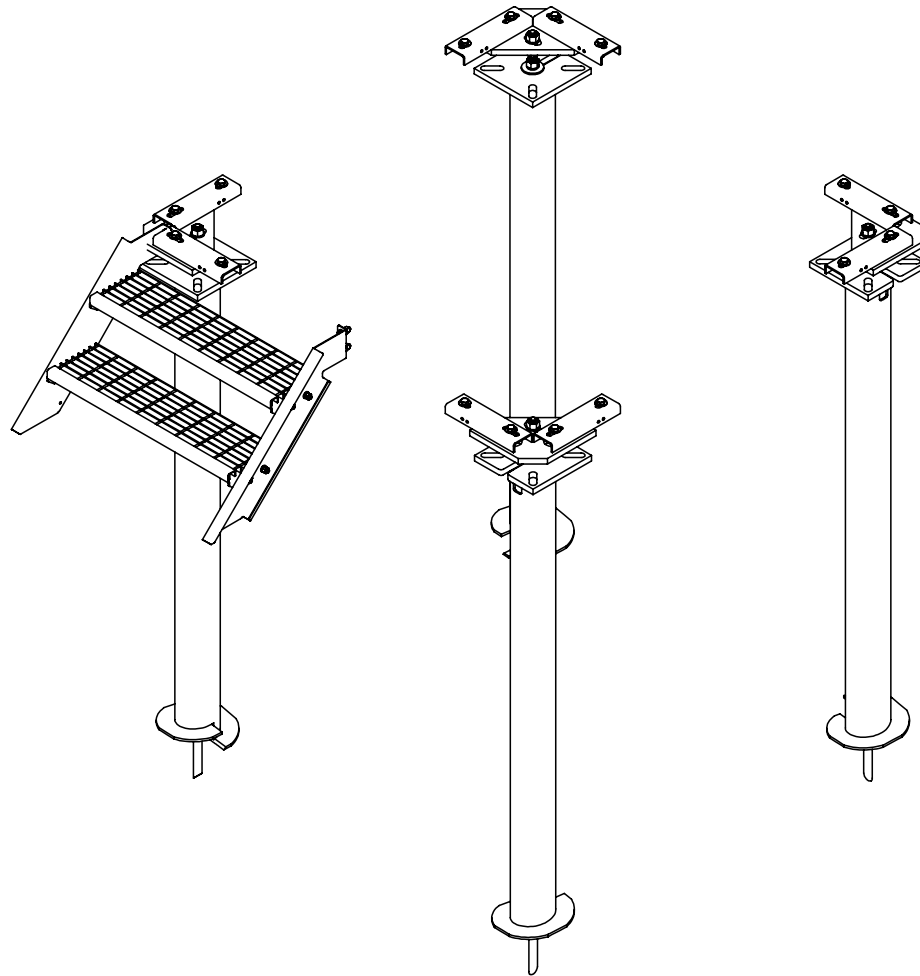
Part Number

AT&T- CEQ.53680 EMI- [1000-0000-0101](#) ↓

↓ [Click the EMI part number to download drawing.](#)

Description

WIC corner mount helical kit, 2-step stair with leveling hardware.



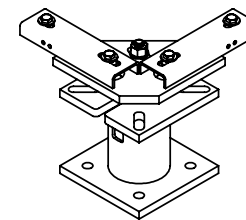
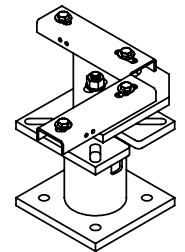
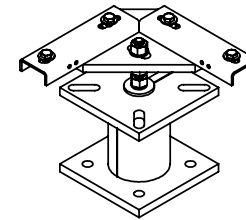
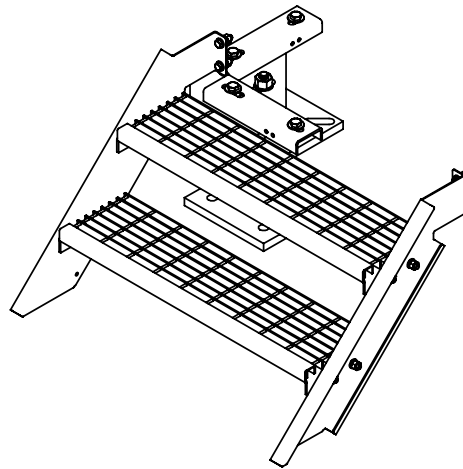
WIC Concrete Mount

Part Number

AT&T- CEQ.53655 EMI- [1007-0000-0012](#) ↓
↓ [Click the EMI part number to download drawing.](#)

Description

WIC pad mount corner kit, 17" mounting feet, 2-step stair with leveling hardware.



230" x 145" WIC/Combo Elevated Platform Extended

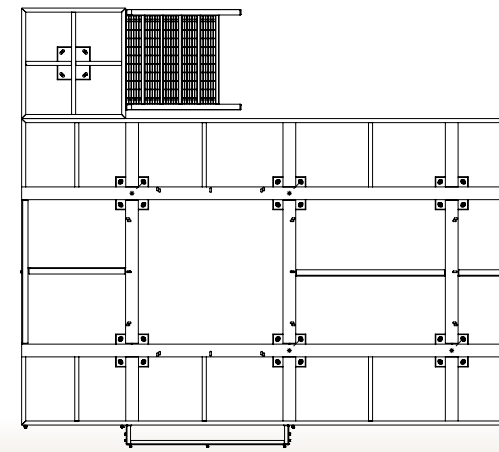
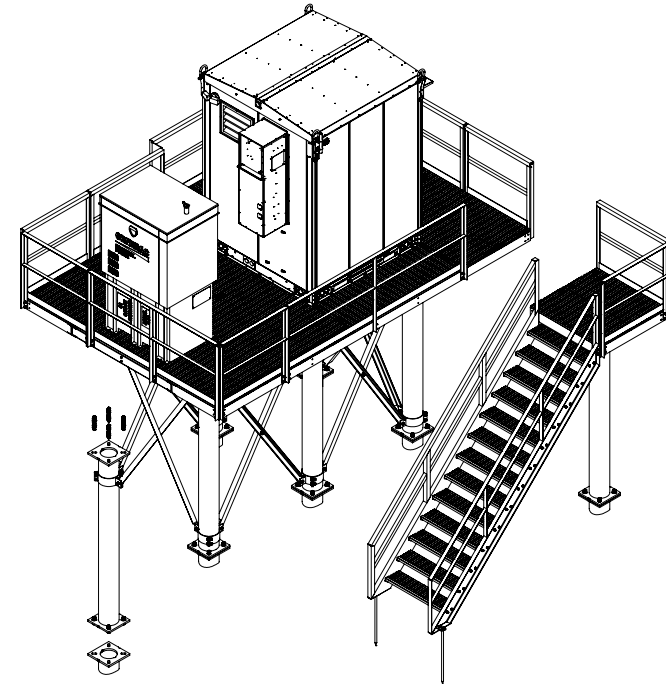
Part Number	Elevation
AT&T- CEQ.53671 EMI- 1000-0010-0146-04 ↓	4 ft
AT&T- CEQ.53666 EMI- 1000-0010-0146-06 ↓	6 ft
AT&T- CEQ.53656 EMI- 1000-0010-0146-08 ↓	8 ft
AT&T- CEQ.53659 EMI- 1000-0010-0146-10 ↓	10 ft
AT&T- CEQ.53664 EMI- 1000-0010-0146-12 ↓	12 ft
AT&T- CEQ.57514 EMI- 1000-0010-0146-14 ↓	14 ft
AT&T- CEQ.57484 EMI- 1000-0010-0146-16 ↓	16 ft
AT&T- CEQ.57168 EMI- 1000-0010-0146-18 ↓	18 ft
AT&T- CEQ.57166 EMI- 1000-0010-0146-20 ↓	20 ft

↓ Click the **EMI** part number to download drawing.

Description
 Elevated WIC-genset combo platform kit, 230"x 145" up to 30kW genset on the back. Includes 10" dia. helical foundations and entry stair.

Special Notes
 Helical extensions of 5' & 10' are available for sites with poor soil conditions requiring deeper foundations.

AT&T- CEQ.57203 EMI- 1000-0030-0178 ↓	5 ft
AT&T- CEQ.57204 EMI- 1000-0030-0179 ↓	10 ft



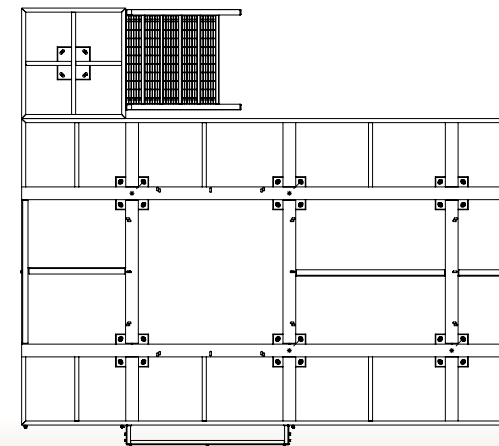
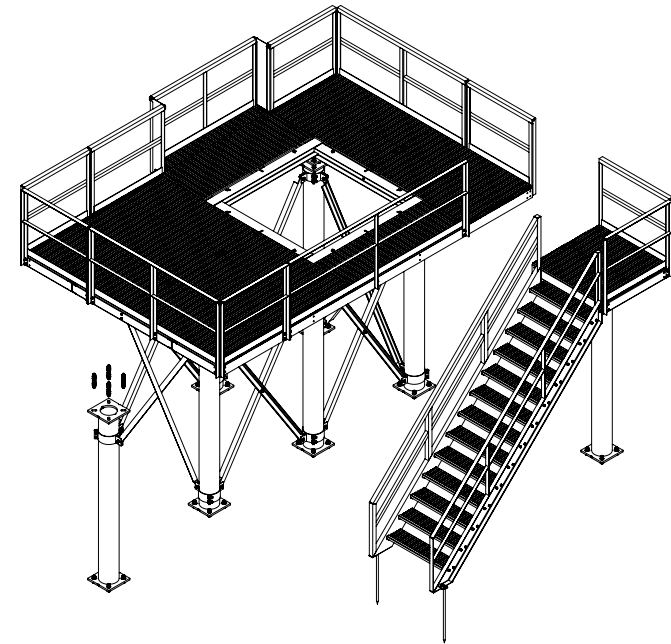
NO GRATING OR GUARDRAILS

230" x 145" WIC/Combo Elevated Platform Extended [w/o helicals]

Part Number	Elevation
AT&T- CEQ.59829 EMI- 1000-0010-0557-04 ↓	4 ft
AT&T- CEQ.59822 EMI- 1000-0010-0557-06 ↓	6 ft
AT&T- CEQ.59814 EMI- 1000-0010-0557-08 ↓	8 ft
AT&T- CEQ.59831 EMI- 1000-0010-0557-10 ↓	10 ft
AT&T- CEQ.59827 EMI- 1000-0010-0557-12 ↓	12 ft
AT&T- CEQ.59824 EMI- 1000-0010-0557-14 ↓	14 ft
AT&T- CEQ.59825 EMI- 1000-0010-0557-16 ↓	16 ft
AT&T- CEQ.59832 EMI- 1000-0010-0557-18 ↓	18 ft
AT&T- CEQ.59833 EMI- 1000-0010-0557-20 ↓	20 ft

↓ Click the EMI part number to download drawing.

Description
 Elevated WIC-genset combo platform kit, 230"x 145" up to 30kW genset on the back. Includes entry stair. Helical foundations sold separately.



NO GRATING OR GUARDRAILS

166" x 80" WIC/Combo Gravity Mount Skid Platform

Part Number

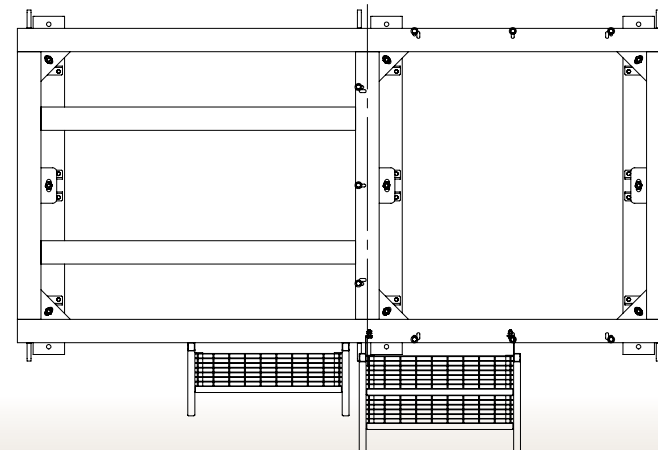
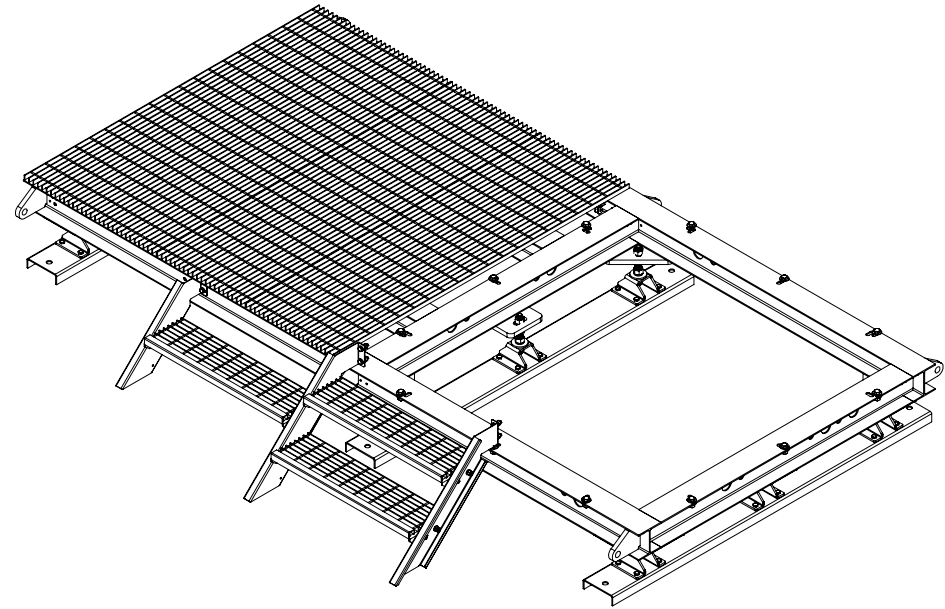
AT&T- CEQ.53657

EMI- [1000-0010-0123](#) ↓

↓ [Click the EMI part number to download drawing.](#)

Description

WIC-genset combo 166"x 80" gravity mount platform for 80"x80" WIC and genset. Includes 2-step, 3-step stair and gravity mount foundations



166" x 80" WIC/Combo Helical Mount Grade Platform

Part Number

AT&T- CEQ.53663

EMI- [1000-0010-0122](#) ↓

↓ [Click the EMI part number to download drawing.](#)

Description

WIC-genset combo 166"x 80" helical mount platform and genset. Includes 1-step, 2-step entry stair and helical foundations.

