



# AT&T WIC, WUC and Generator Foundation Ordering Guide



**1-800-453-0050**

[www.emiproducts.com](http://www.emiproducts.com)

11230 Neeshaw Drive, Houston, Texas 77065

## Table of Contents

WIC Platform	Page
80" x 80" WIC Gravity/Pad Mount	4
10' x 10' WIC Gravity/Pad Mount	4
WIC Helical Mount	5
WIC Concrete Mount	6
WIC/Combo Platforms	Page
182" x 80" WIC/Combo Elevated Platform	7
230" x 145" WIC/Combo Elevated Platform	8
230" x 145" WIC/Combo Elevated Platform w/o helicals	9
166" x 80" WIC/Combo Gravity Mount Skid Platform	10
166" x 80" WIC/Combo Helical Mount Grade Platform	11
166" x 80" WIC/WICG Gravity Mount Skid Platform	12
166" x 80" WIC/WICG Helical Mount Grade Platform	13
WUC Platform	Page
102" x 75" WUC Gravity/Pad Mount w/Step	16
102" x 75" WUC Gravity/Pad Mount	17
180" x 87 1/4" WUC/Combo Platform w/ Canopy	18
180" x 87 1/4" WUC/Combo Platform w/o Canopy	19
180" x 87 1/4" WUC/Combo Platform w/ Mesh Canopy	20

Generator Platforms	Page
9' x 4' Pad Mount Generator	21
53" x 35" Vertical Polar Generator Helical Mount Plinth	22
72" x 53" Helical Mount Generator Platform	23
144" x 53" Helical Mount Generator Platform	24
53" x 36" Vertical Generator Pad Mount Plinth	25
228" x 43 3/8" Generator Plinth Kit	26
48" x 48" WUC Gravity/Pad Mount Platform for Growth	27
Foundations	Page
6" Diameter x 7' Quad Mount Helical Kit	28
10" Diameter x 10' Single Stud Mount Helical Kit (4 Pk)	29
10" Diameter x 21' Triple Flight Helical & Ext. Kit (7 Pk)	30
6" Dia. Pad Mount Extension Single Stud Mount (4 Pk)	31
6" Diameter Pad Mount Extension Quad Mount	31
10" Diameter Foundation Extensions	33
Accessories	Page
Platform Extension "Wing" Kit	14
WIC/Combo 90° Stair Landing Kits	15
Single Step Stair Kit	32
WIC & Genset Platform Fully Grated Conversion Kit	32
Canopy for WIC - WUC Outdoor Platform - 0146	34
114" X 144" Pad Mount Canopy	35

## AT&T WIC [WALK IN CABINET]

**AT&T Standards determine the selection of foundation type.**

1. Helical - 92% locations nationwide (standard option).
2. Concrete Pier/Gravity Mount - Rocky terrain/mountain top locations (where helical is not an option due to ground conditions).
3. Concrete Pad - Existing pad (no new pouring). Space available on the existing pad due to decommission of legacy enclosures, relocation.



## 80" x 80" WIC Gravity/Pad Mount

### Part Number

**AT&T-** CEQ.53686      **EMI-** [1000-0000-0103](#) ↓  
↓ [Click the EMI part number to download drawing.](#)

### Description

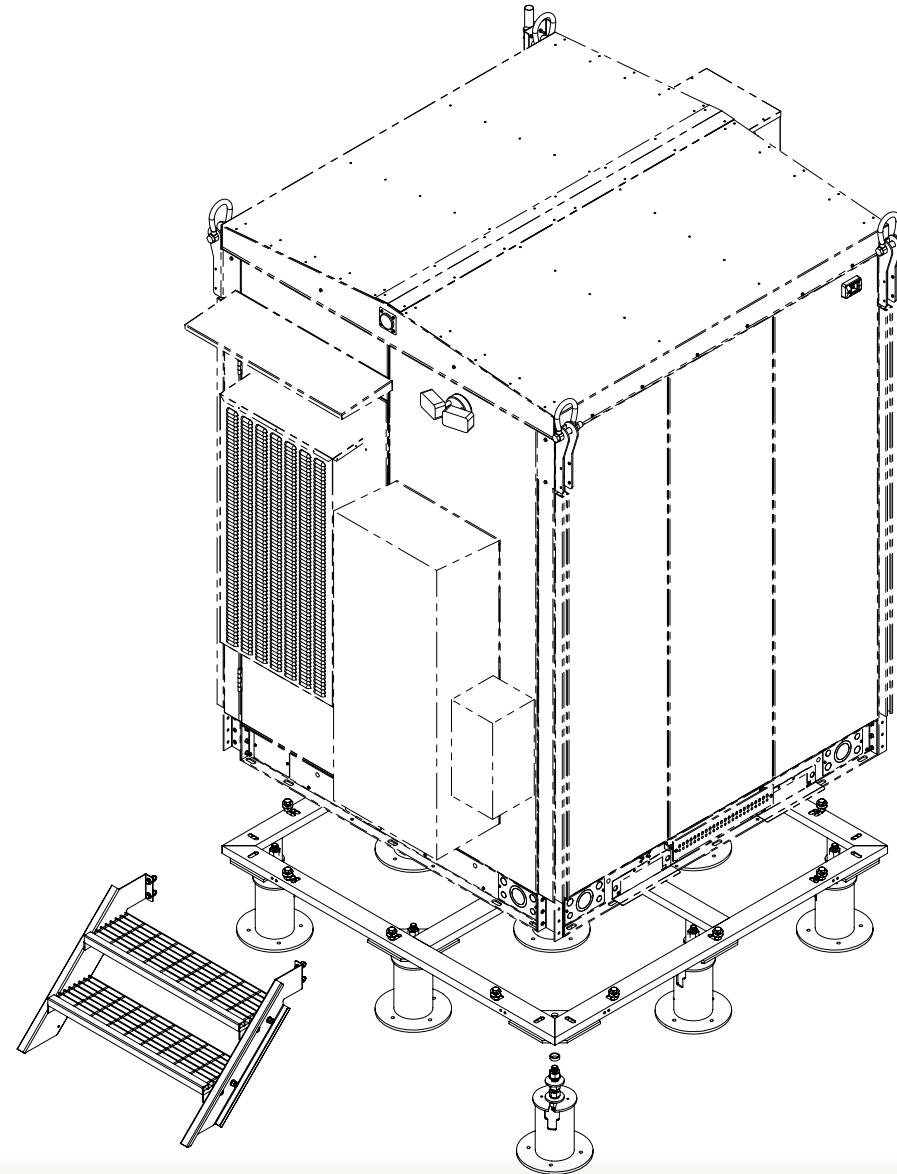
80" x 80" WIC gravity/pad mount platform kit, 2-step stair with leveling hardware.

### Part Number

**AT&T-** CEQ.46388      **EMI-** [1000-0000-0162](#) ↓  
↓ [Click the EMI part number to download drawing.](#)

### Description

10' x 10' WIC gravity/pad mount platform kit, 2-step stair with leveling hardware.





## WIC Helical Mount

### Part Number

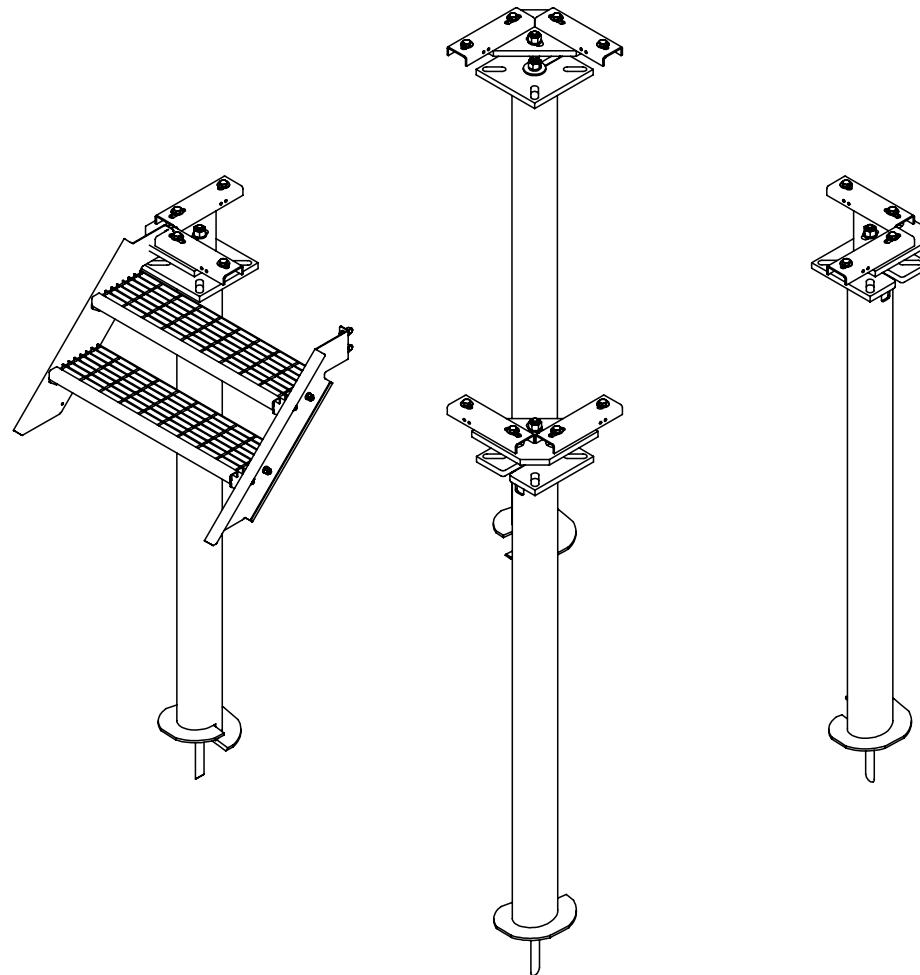
AT&T- CEQ.53680

EMI- [1000-0000-0101](#) ↓

↓ [Click the EMI part number to download drawing.](#)

### Description

WIC corner mount helical kit, 2-step stair with leveling hardware.



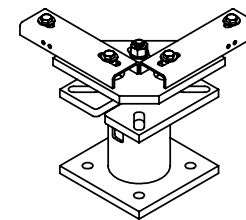
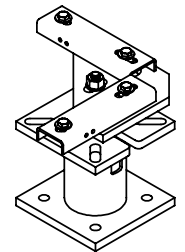
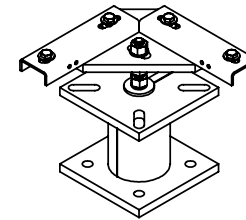
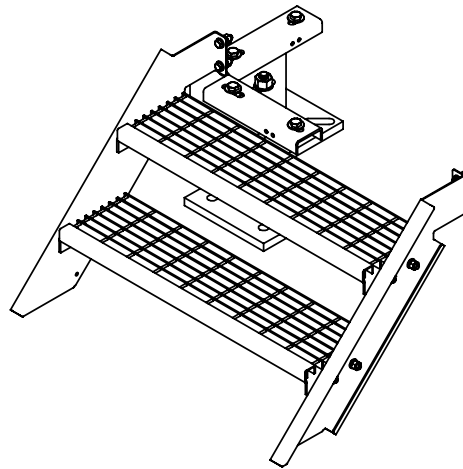
## WIC Concrete Mount

### Part Number

AT&T- CEQ.53655      EMI- [1007-0000-0012](#) ↓  
↓ [Click the EMI part number to download drawing.](#)

### Description

WIC pad mount corner kit, 17" mounting feet, 2-step stair with leveling hardware.



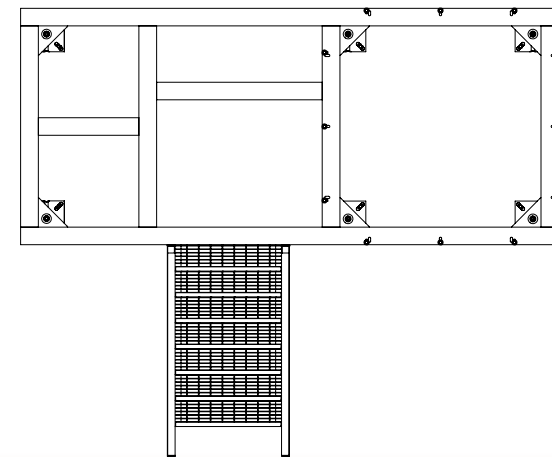
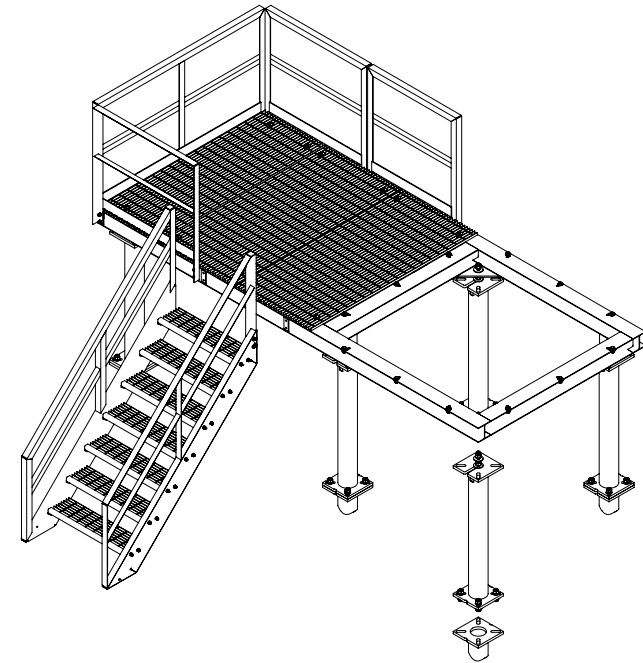
## 182" x 80" WIC/Combo Elevated Platform

Part Number	Elevation
AT&T- CEQ.53687    EMI- <a href="#">1000-0010-0090-03</a> ↓	3 ft
AT&T- CEQ.*****    EMI- <a href="#">1000-0010-0090-04</a> ↓	4 ft
AT&T- CEQ.53670    EMI- <a href="#">1000-0010-0090-06</a> ↓	6 ft

↓ Click the EMI part number to download drawing.

### Description

Elevated WIC-genset combo platform kit, 182" x 80" for 3' to 6' elevations. Includes helicals and entry stair.



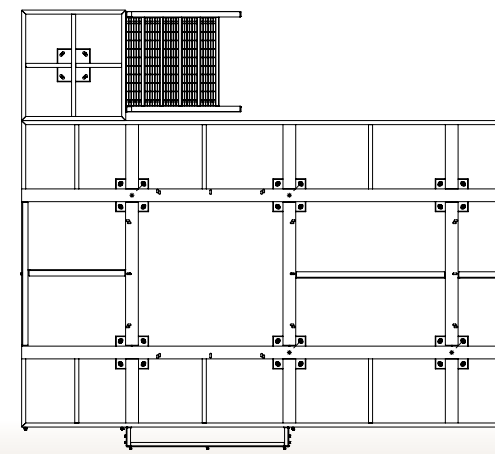
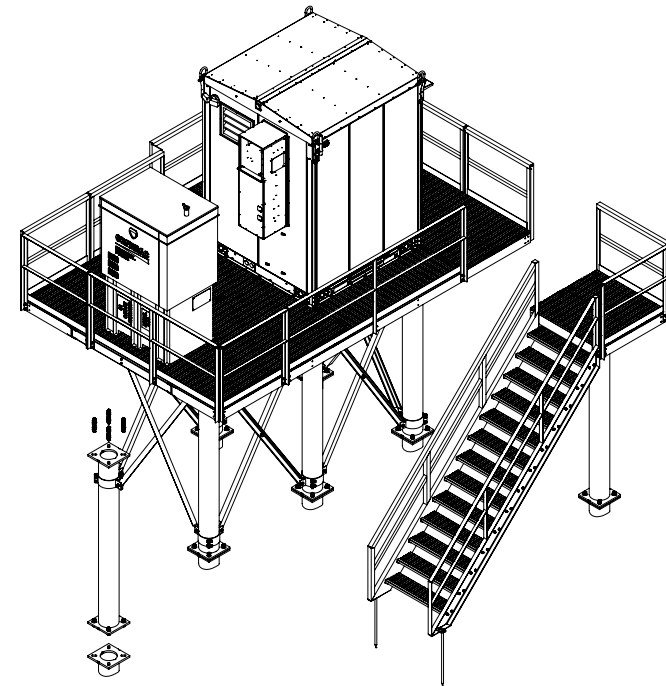
GRATING REMOVED FOR CLARITY

## 230" x 145" WIC/Combo Elevated Platform Extended

Part Number	Elevation
<a href="#">AT&amp;T- CEQ.53671</a> <a href="#">EMI- 1000-0010-0146-04</a> ↓	4 ft
<a href="#">AT&amp;T- CEQ.53666</a> <a href="#">EMI- 1000-0010-0146-06</a> ↓	6 ft
<a href="#">AT&amp;T- CEQ.53656</a> <a href="#">EMI- 1000-0010-0146-08</a> ↓	8 ft
<a href="#">AT&amp;T- CEQ.53659</a> <a href="#">EMI- 1000-0010-0146-10</a> ↓	10 ft
<a href="#">AT&amp;T- CEQ.53664</a> <a href="#">EMI- 1000-0010-0146-12</a> ↓	12 ft
<a href="#">AT&amp;T- CEQ.57514</a> <a href="#">EMI- 1000-0010-0146-14</a> ↓	14 ft
<a href="#">AT&amp;T- CEQ.57484</a> <a href="#">EMI- 1000-0010-0146-16</a> ↓	16 ft
<a href="#">AT&amp;T- CEQ.57168</a> <a href="#">EMI- 1000-0010-0146-18</a> ↓	18 ft
<a href="#">AT&amp;T- CEQ.57166</a> <a href="#">EMI- 1000-0010-0146-20</a> ↓	20 ft

↓ Click the **EMI** part number to download drawing.

**Description**  
 Elevated WIC-genset combo platform kit, 230"x 145" up to 30kW genset on the back. Includes 10" dia. helical foundations and entry stair.



NO GRATING OR GUARDRAILS

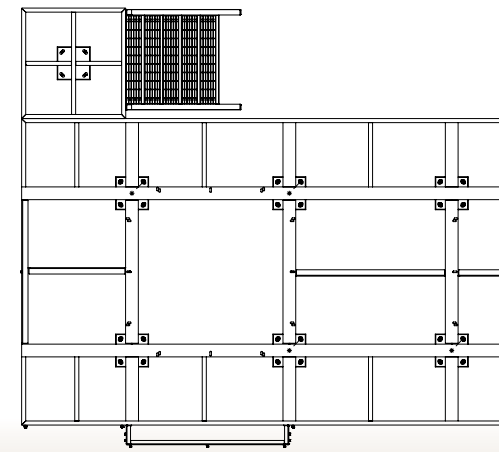
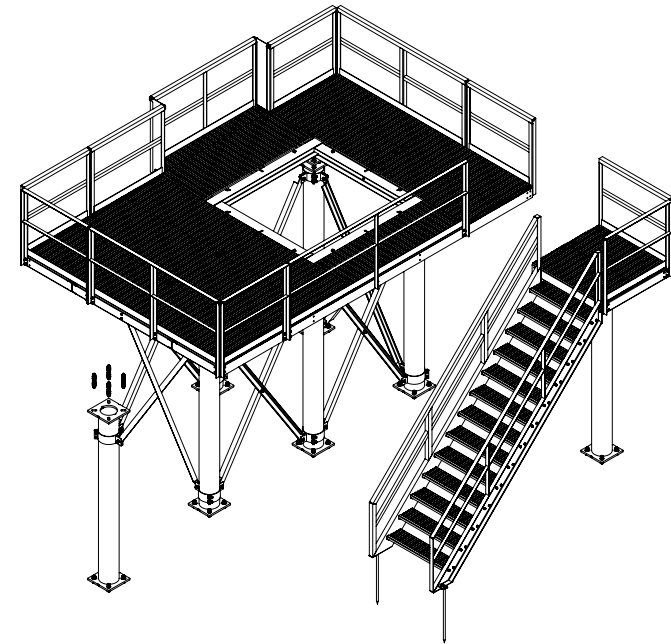


## 230" x 145" WIC/Combo Elevated Platform Extended [w/o helicals]

Part Number	Elevation
<a href="#">AT&amp;T- CEQ.59829</a> <a href="#">EMI- 1000-0010-0557-04</a> ↓	4 ft
<a href="#">AT&amp;T- CEQ.59822</a> <a href="#">EMI- 1000-0010-0557-06</a> ↓	6 ft
<a href="#">AT&amp;T- CEQ.59814</a> <a href="#">EMI- 1000-0010-0557-08</a> ↓	8 ft
<a href="#">AT&amp;T- CEQ.59831</a> <a href="#">EMI- 1000-0010-0557-10</a> ↓	10 ft
<a href="#">AT&amp;T- CEQ.59827</a> <a href="#">EMI- 1000-0010-0557-12</a> ↓	12 ft
<a href="#">AT&amp;T- CEQ.59824</a> <a href="#">EMI- 1000-0010-0557-14</a> ↓	14 ft
<a href="#">AT&amp;T- CEQ.59825</a> <a href="#">EMI- 1000-0010-0557-16</a> ↓	16 ft
<a href="#">AT&amp;T- CEQ.59832</a> <a href="#">EMI- 1000-0010-0557-18</a> ↓	18 ft
<a href="#">AT&amp;T- CEQ.59833</a> <a href="#">EMI- 1000-0010-0557-20</a> ↓	20 ft

↓ [Click the EMI part number to download drawing.](#)

**Description**  
 Elevated WIC-genset combo platform kit, 230"x 145" up to 30kW genset on the back. Includes entry stair. Helical foundations sold separately.



NO GRATING OR GUARDRAILS

## 166" x 80" WIC/Combo Gravity Mount Skid Platform

### Part Number

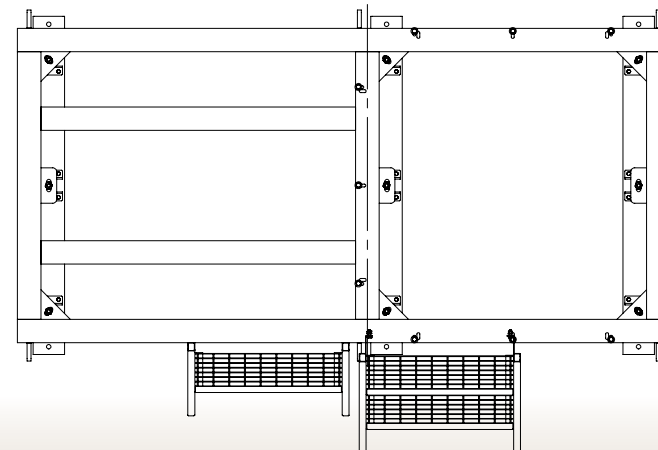
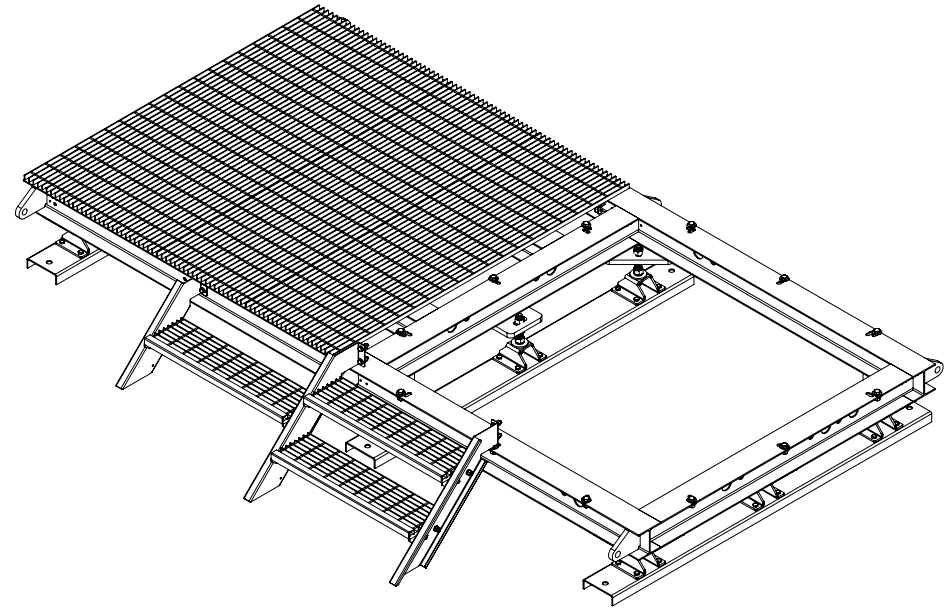
AT&T- CEQ.53657

EMI- 1000-0010-0123 ↓

↓ [Click the EMI part number to download drawing.](#)

### Description

WIC-genset combo 166"x 80" gravity mount platform for 80"x80" WIC and genset. Includes 2-step, 3-step stair and gravity mount foundations



## 166" x 80" WIC/Combo Helical Mount Grade Platform

### Part Number

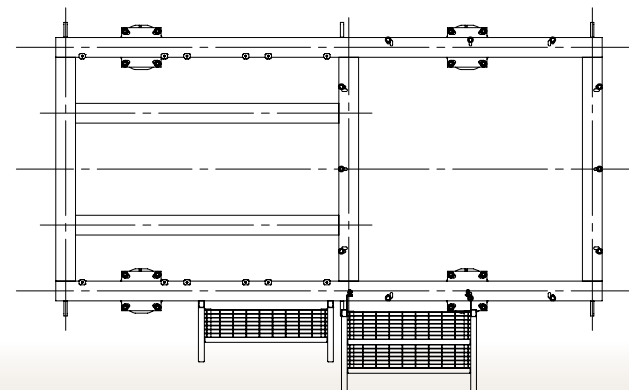
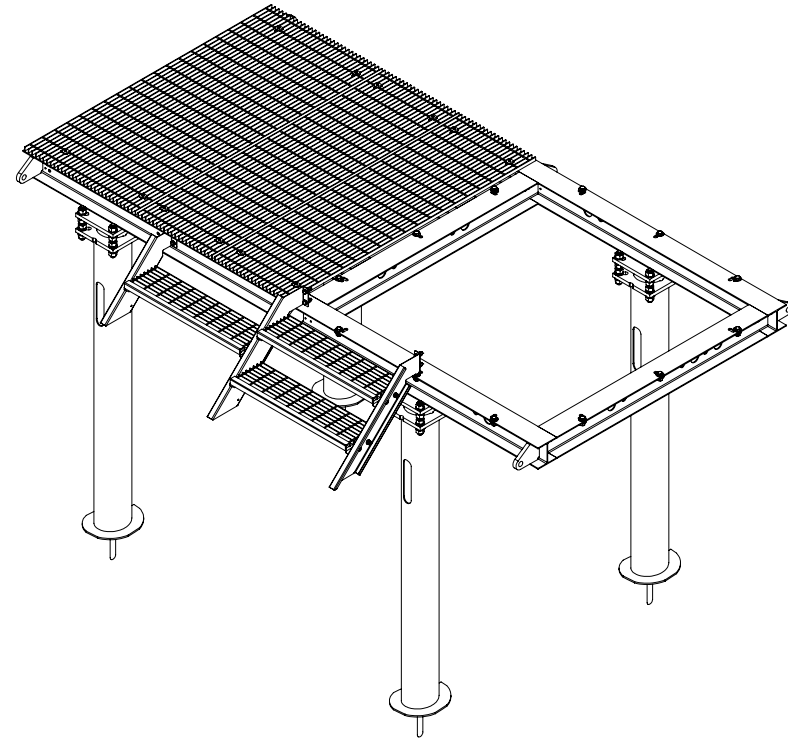
AT&T- CEQ.53663

EMI- [1000-0010-0122](#) ↓

↓ [Click the EMI part number to download drawing.](#)

### Description

WIC-genset combo 166"x 80" helical mount platform and genset. Includes 1-step, 2-step entry stair and helical foundations.



## 166" x 80" WIC/WICG Gravity Mount Skid Platform

### Part Number

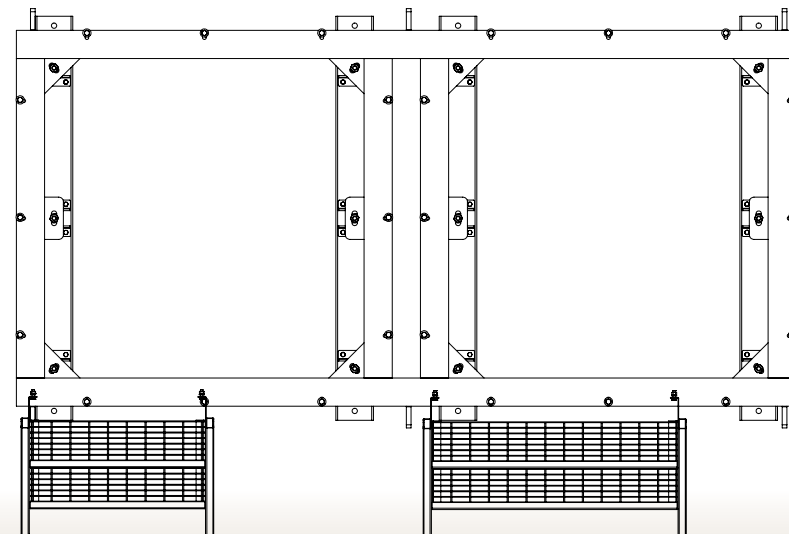
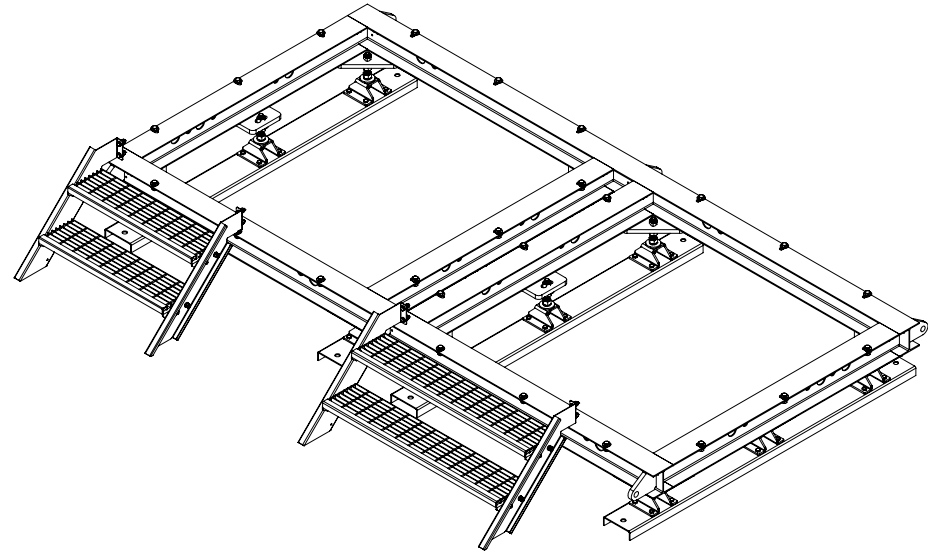
AT&T- CEQ.53662

EMI- [1000-0010-0179](#) ↓

↓ [Click the EMI part number to download drawing.](#)

### Description

WIC/WICG combo platform kit for 80"x 80" WIC and 20kW ID genset, includes (2) 2-step entry stairs and gravity mount foundations.





## 166" x 80" WIC/WICG Helical Mount Grade Platform

### Part Number

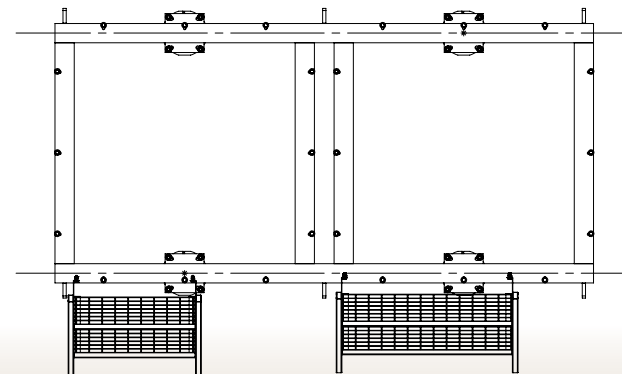
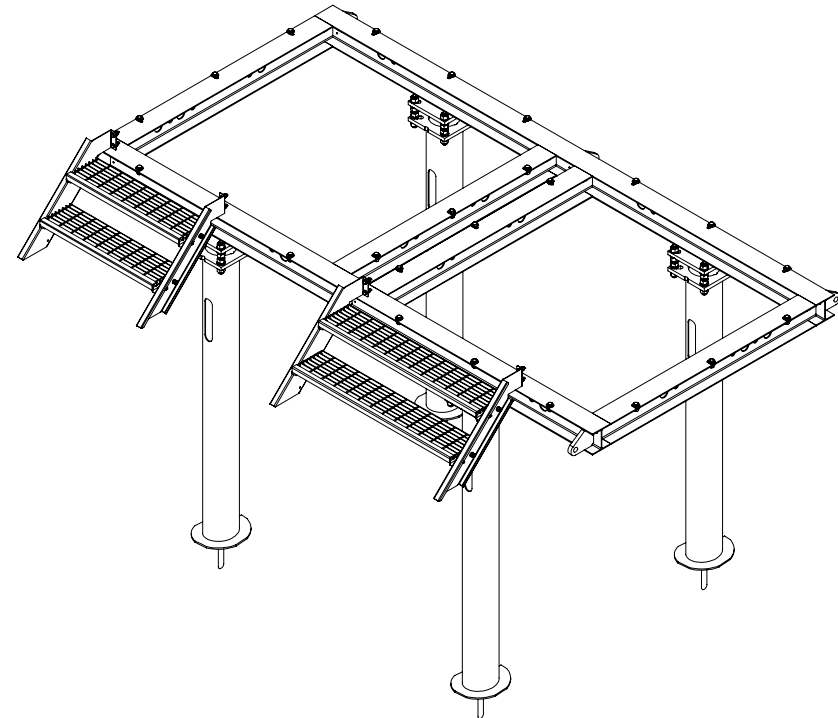
AT&T- CEQ.53684

EMI- [1000-0010-0171](#) ↓

↓ [Click the EMI part number to download drawing.](#)

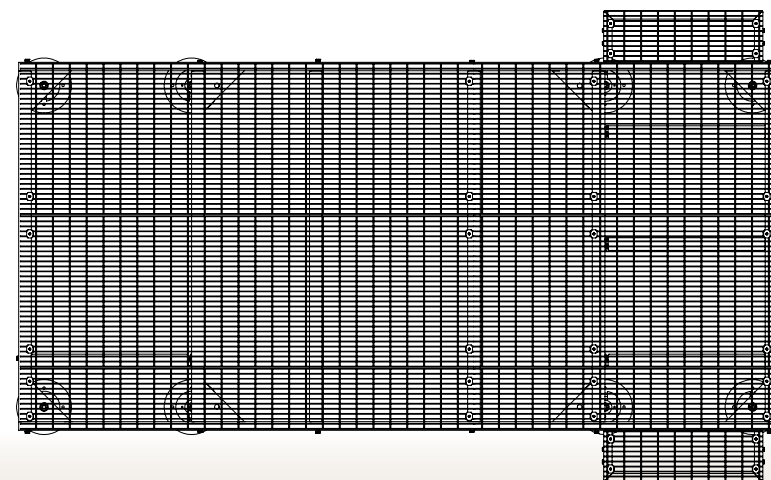
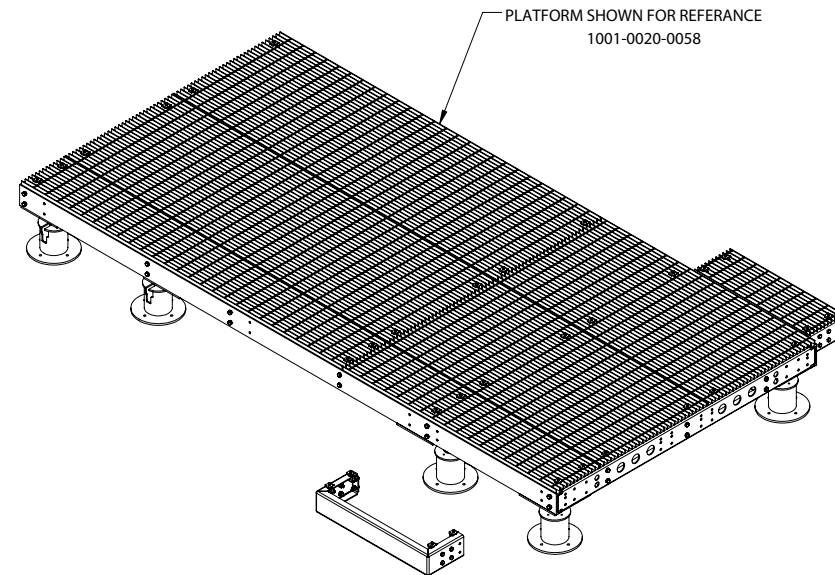
### Description

WIC/WICG combo platform kit for 80"x 80" WIC and 20kW ID genset, includes (2) 2-step entry stairs and helical foundations.



## Platform Extension "Wing" Kit

Part Number	
AT&T- CEQ.53681	<b>EMI- <a href="#">1000-0020-0032</a></b> ↓
↓ <b>Click the EMI part number to download drawing.</b>	
Description	
OD cabinet platform 30kW generator extension with two 12" extension wings set.	
For Use On The Following Platforms	
<b>EMI- <a href="#">1000-0010-0122</a></b>	↓
<b>EMI- <a href="#">1000-0010-0123</a></b>	↓
<b>EMI- <a href="#">1000-0010-0102</a></b>	↓
<b>EMI- <a href="#">1000-0010-0128</a></b>	↓
<b>EMI- <a href="#">1000-0010-0131</a></b>	↓

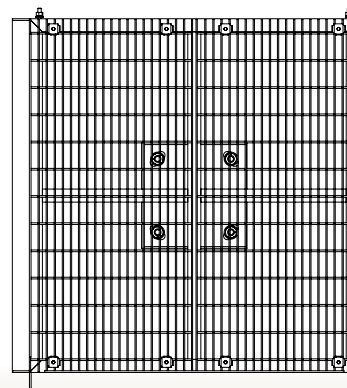
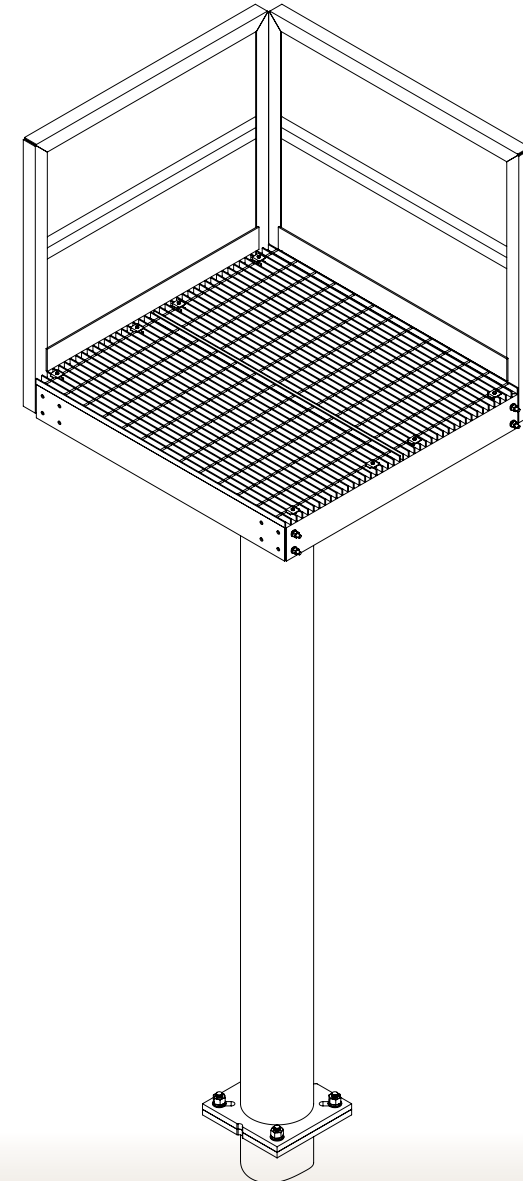


## WIC/Combo 90° Stair Landing Kits

Part Number	Elevation
AT&T- CEQ.53653    EMI- <a href="#">1000-0010-0161-04</a> ↓	4 ft
AT&T- CEQ.53685    EMI- <a href="#">1000-0010-0161-06</a> ↓	6 ft
AT&T- CEQ.53683    EMI- <a href="#">1000-0010-0161-08</a> ↓	8 ft
AT&T- CEQ.53651    EMI- <a href="#">1000-0010-0161-10</a> ↓	10 ft
AT&T- CEQ.*****    EMI- <a href="#">1000-0010-0161-12</a> ↓	12 ft

↓ Click the EMI part number to download drawing.

**Description**  
4' to 12' elevation stair kit for WIC combo platform, to add a 90 degree stair entry.



## 102" x 75" WUC Gravity/Pad Mount Platform

WUC is an aluminum construction cabinet arranged for third-party AC load center, DC power system, batteries, and load equipment. 3-bay cabinet trays, 18kW equipment space, 14RU power system space, 3 battery trays, 18kW capacity door mounted thermosiphon HEX cooling, rear access hatches, 6kW capacity DC heaters.

### Part Number

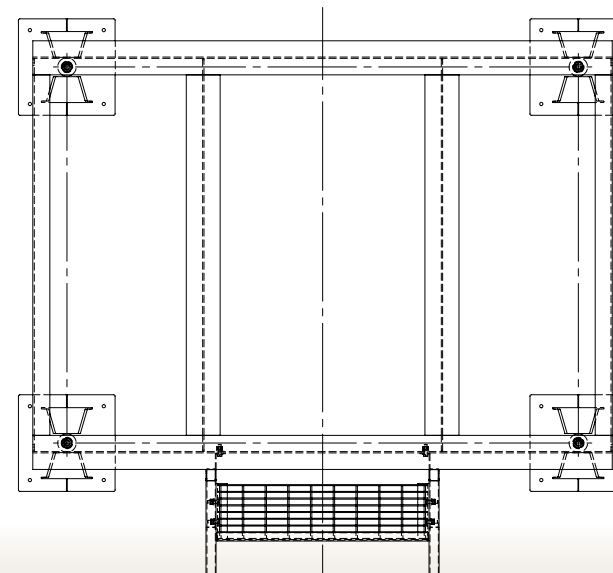
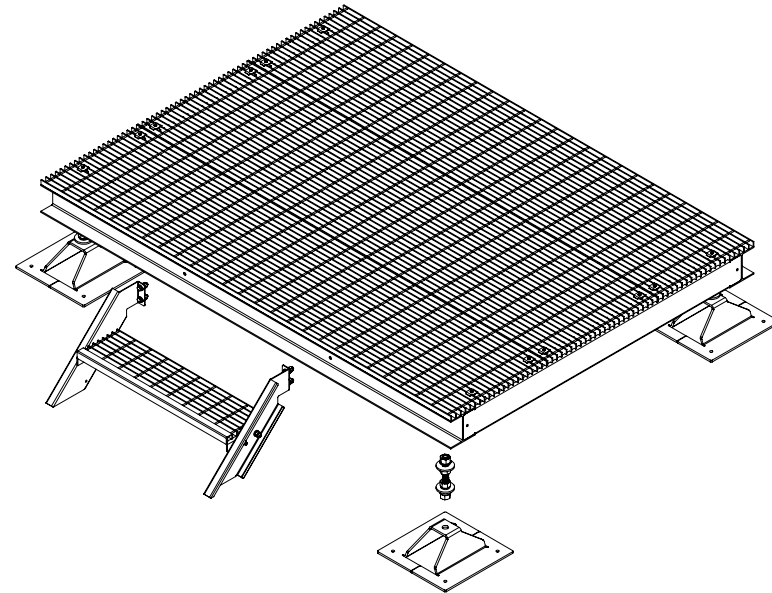
AT&T- CEQ.43621

EMI- [1000-0010-0238](#) ↓

↓ [Click the EMI part number to download drawing.](#)

### Description

WUC gravity/pad mount platform 102" x 75" with leveling hardware.





## 102" x 75" WUC Gravity/Pad Mount Platform

### Part Number

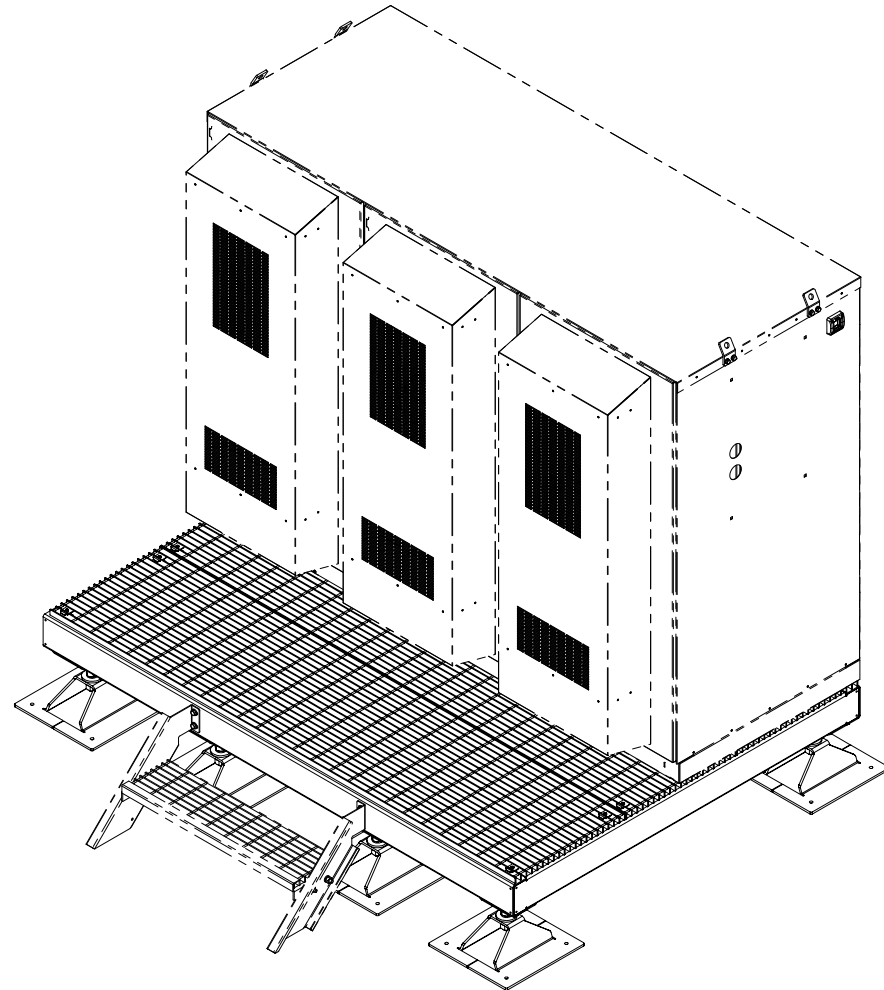
AT&T- CEQ.54437

EMI- [1010-0010-0118](#) ↓

↓ [Click the EMI part number to download drawing.](#)

### Description

WUC gravity mount platform assembly 102" x 75" with steel grating and leveling feet.



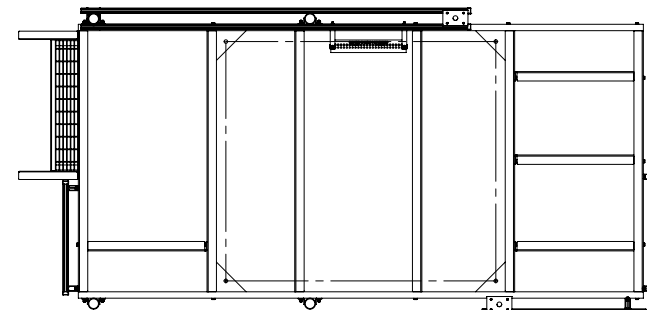
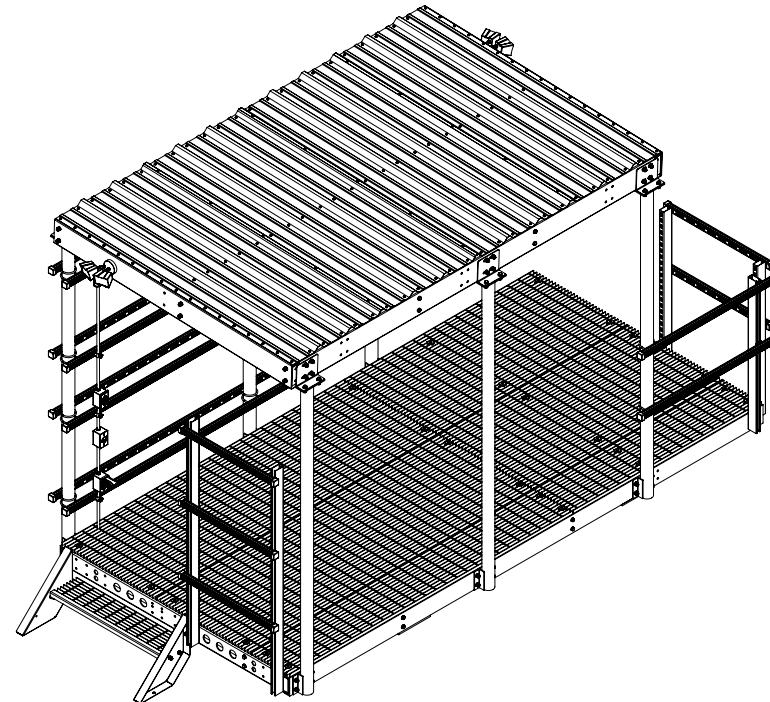
## 180" x 87 1/4" WUC/Combo Platform with Canopy

Part Number	Elevation
AT&T- CEQ.53654    EMI- 1000-0010-0102-FC ↓	Ground
AT&T- CEQ.53679    EMI- 1000-0010-0102-SC ↓	Ground

↓ Click the EMI part number to download drawing.

**Description**  
 OD cabinet equipment platform w/canopy 180" x 87 1/4". Includes stair kit, lighting, and unistruts.

**Special Notes**  
 FC - Factory Configured - pre-assembled unit  
 SC - Site Configured - on-site assembly  
 4 ft elevated unit uses ladder for compact footprint



CANOPY & GRATING  
 HIDDEN FOR CLARITY

## 180" x 87 1/4" WUC/Combo Platform without Canopy

### Part Number

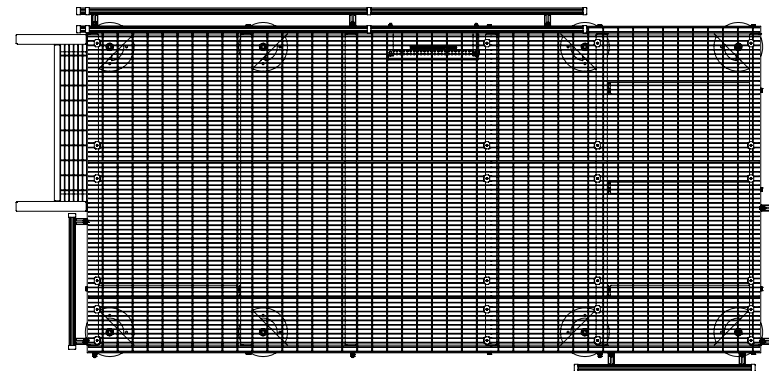
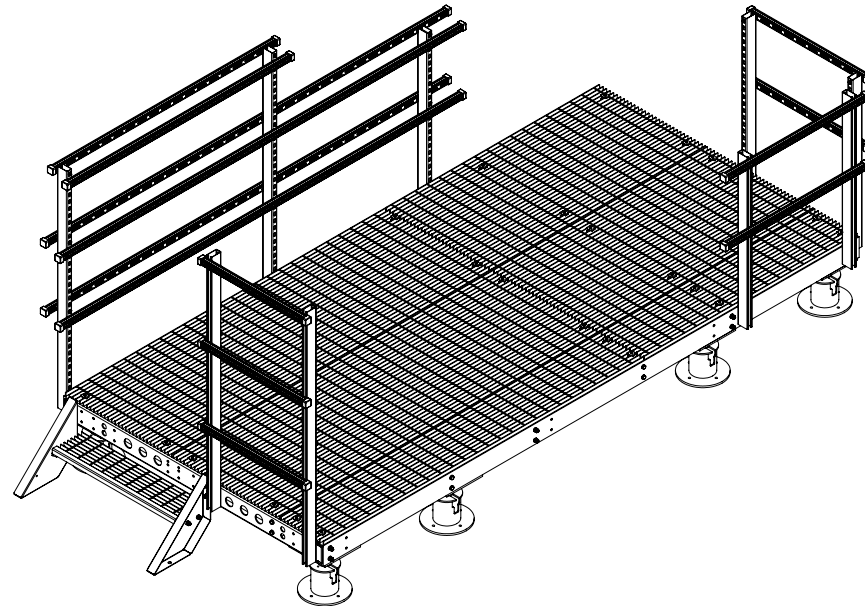
AT&T- CEQ.53675

EMI- [1000-0010-0128-FC](#) ↓

↓ [Click the EMI part number to download drawing.](#)

### Description

OD cabinet gravity platform without canopy 180" x 87 1/4". Includes 1-step entry stair, gravity mount feet and unistrut kit, factory assembled.



## 180" x 87 1/4" WUC/Combo Platform with Mesh Canopy

### Part Number

[AT&T- CEQ.53661](#)      [EMI- 1000-0010-0131-FC](#) ↓

[AT&T- CEQ.53673](#)      [EMI- 1000-0010-0131-SC](#) ↓

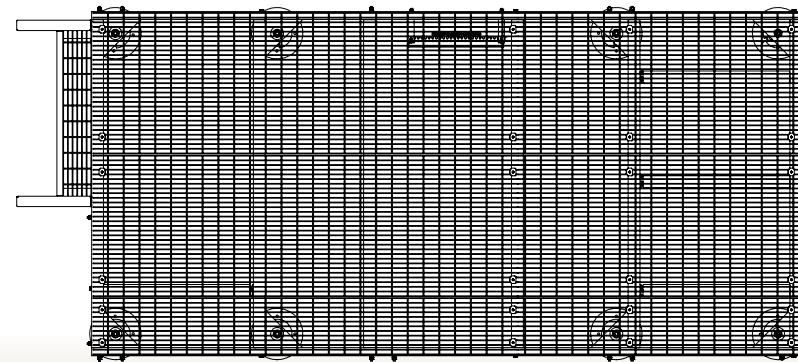
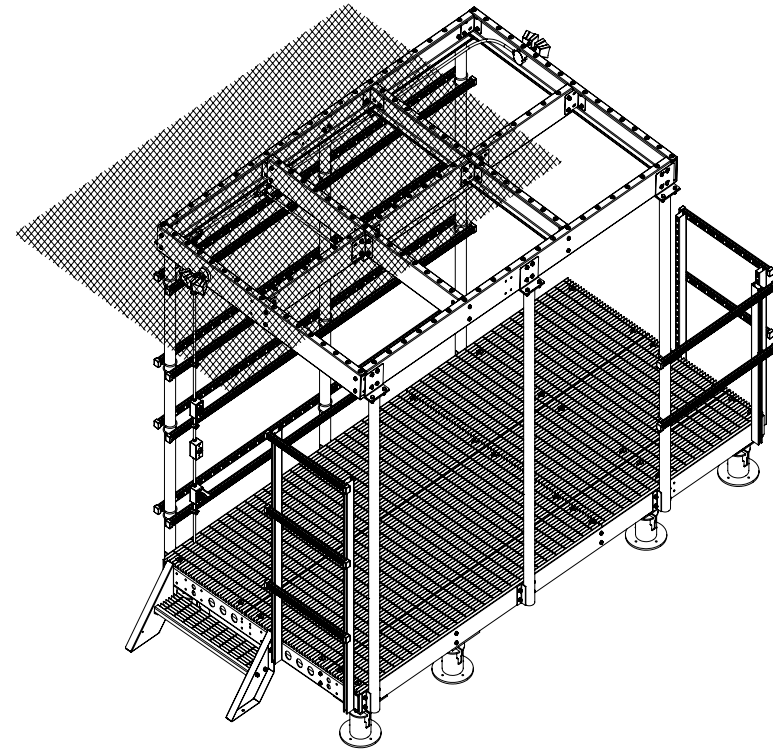
↓ [Click the EMI part number to download drawing.](#)

### Description

OD cabinet gravity platform 180" x 87 1/4" with expanded metal canopy (not solid). Includes 1-step entry stair, gravity mount feet and unistrut kit.

### Special Notes

FC - Factory Configured - pre-assembled unit  
 SC - Site Configured - on-site assembly





## 9' x 4' Pad Mount Generator Platform

This 9' x 4' platform is designed for all ATT approved generators up to the Generac 30kW diesel. The generator should be installed in the center of the platform or in any orientation the will fit. Grounding locations are on all four sides to support any site layout. Platform includes a rodent guard for all generators that need it.

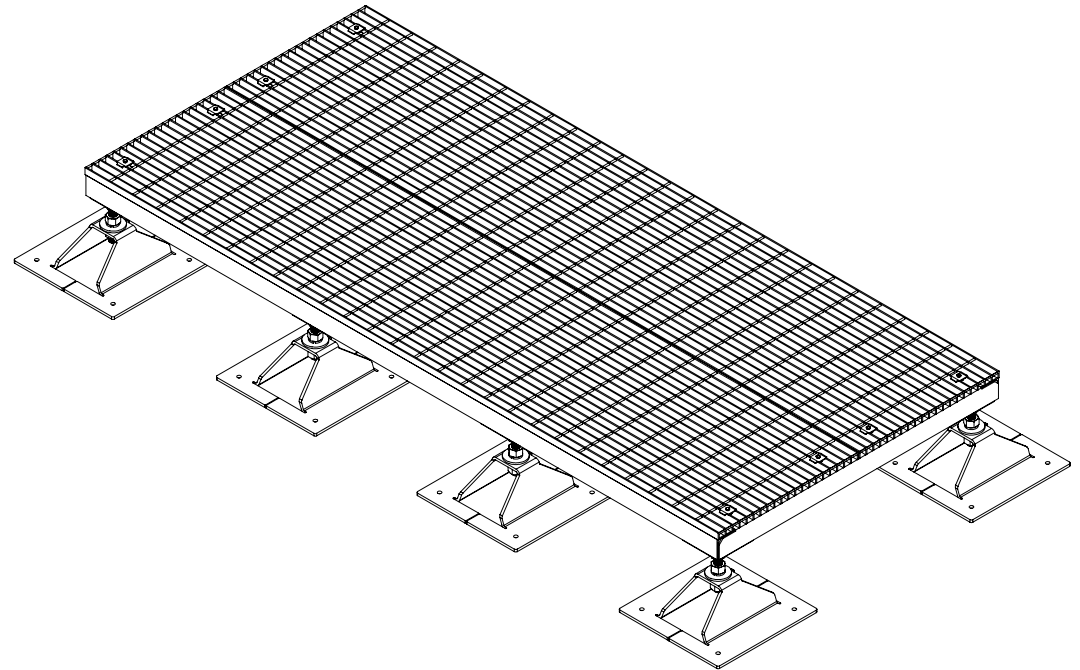
### Part Number

AT&T- CEQ.53672      EMI- [1001-0020-0062](#) ↓

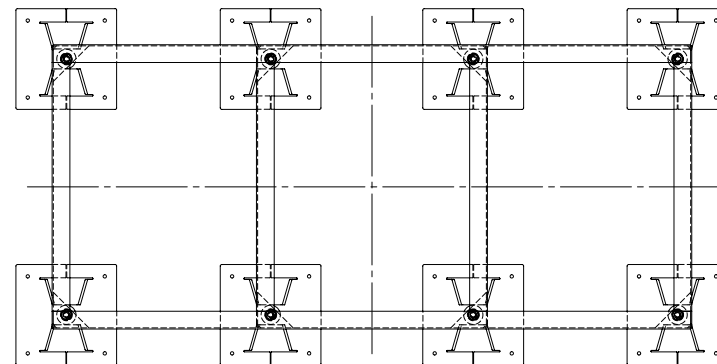
↓ [Click the EMI part number to download drawing.](#)

### Description

Gravity mount generator platform with adjustable feet.



SHOWN WITHOUT GRATING



## 53" x 35" Vertical Polar Generator Helical Mount Plinth

This two helical generator platform utilizes the same helices used on the WIC. Grounding locations are on four sides to accommodate any site layout. It is specifically designed for the vertical Polar generator.

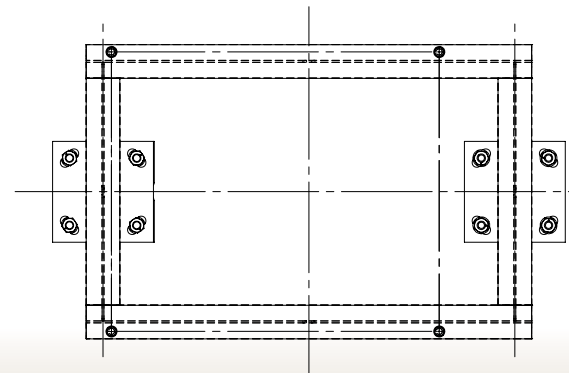
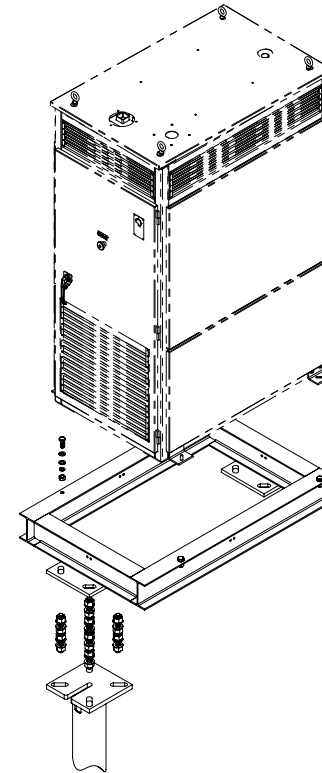
### Part Number

AT&T- CEQ.53652      EMI- [1000-0010-0075](#) ↓

↓ [Click the EMI part number to download drawing.](#)

### Description

Vertical Polar generator plinth 53" x 35" kit with 6" dia. x 7' high helical foundations and leveling hardware.



## 72" x 53" Helical Mount Generator Platform

One of these platforms will accommodate all generators up to 20kW. Grounding locations are on all sides to support any site layout. Platform includes a rodent guard for generators that need it.

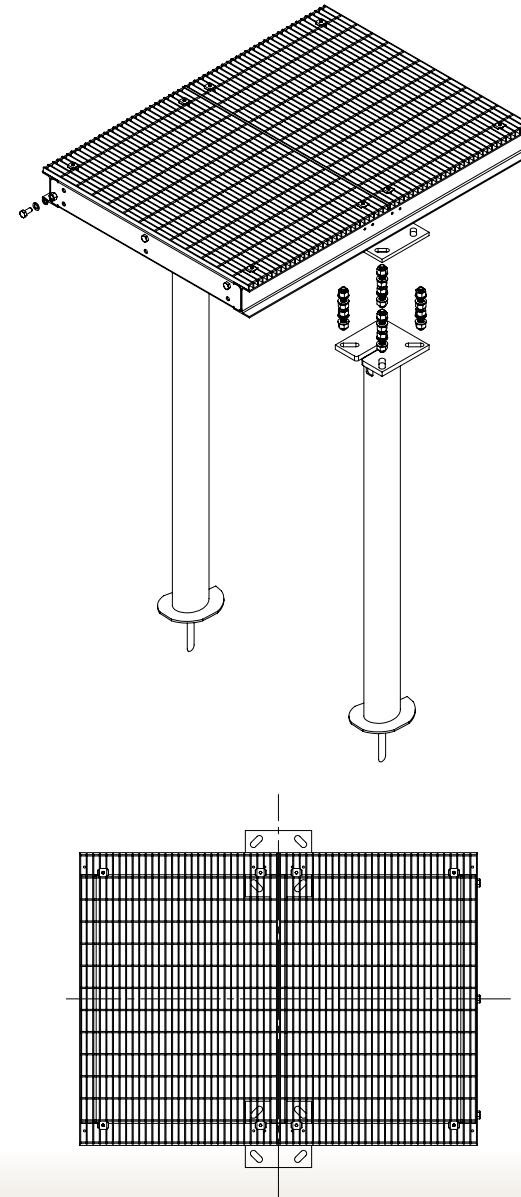
### Part Number

AT&T- CEQ.53665      EMI- [1000-0010-0109](#) ↓

↓ [Click the EMI part number to download drawing.](#)

### Description

Generator platform kit 72" x 53" with 6" dia. x 7' high helical foundations and leveling hardware.



## 144" x 53" Helical Mount Generator Platform

Two of these platforms bolted together will accommodate generators up to 30kW. Grounding locations are on three sides to support any site layout. Platform includes rodent guard for generators that need it. All hardware provided.

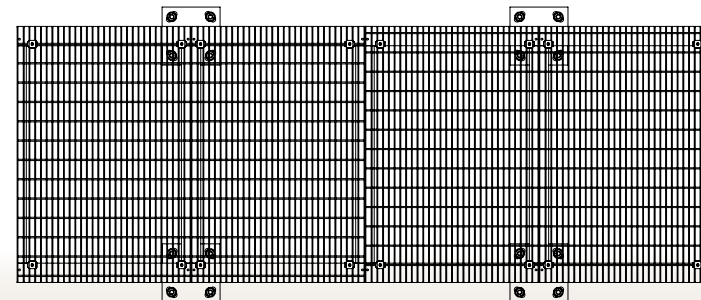
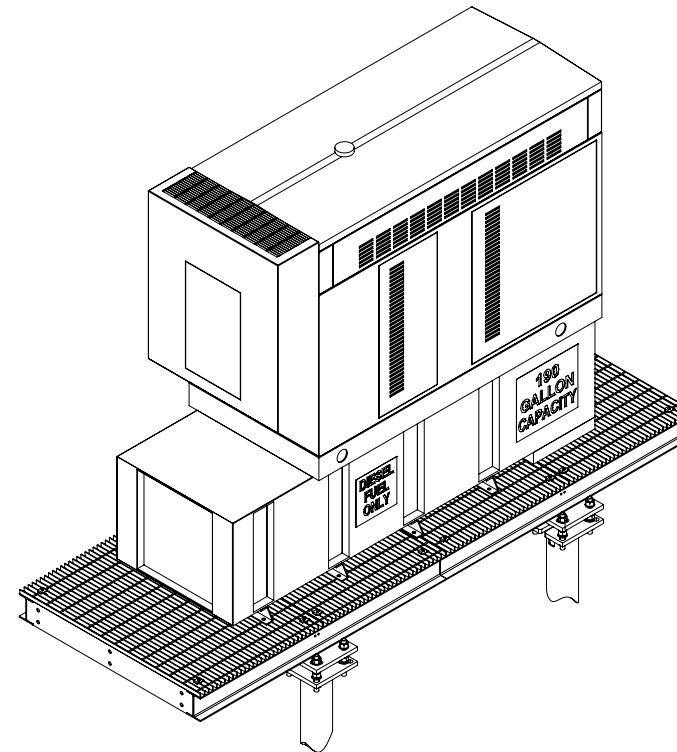
### Part Number

AT&T- CEQ.53665 X2     EMI- [1000-0010-0109](#) X2 ↓

↓ [Click the EMI part number to download drawing.](#)

### Description

Generator platform kit 144" x 53" with 6" dia. x 7' high helical foundations and leveling hardware.



## 53" x 36" Vertical Generator Pad Mount Plinth

### Part Number

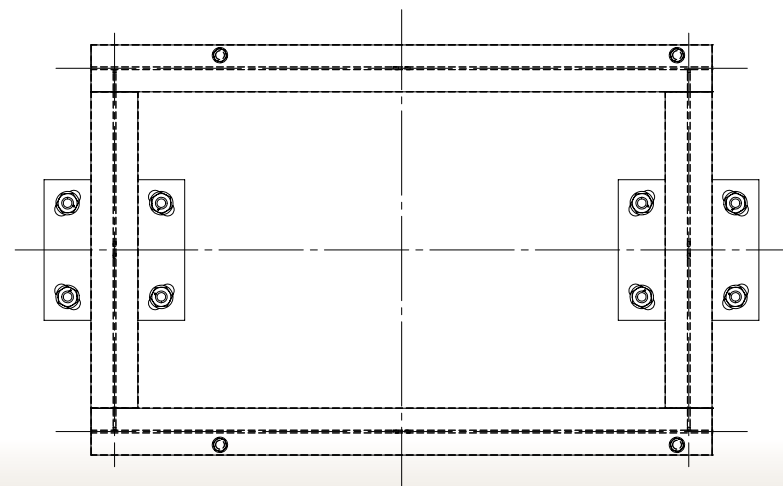
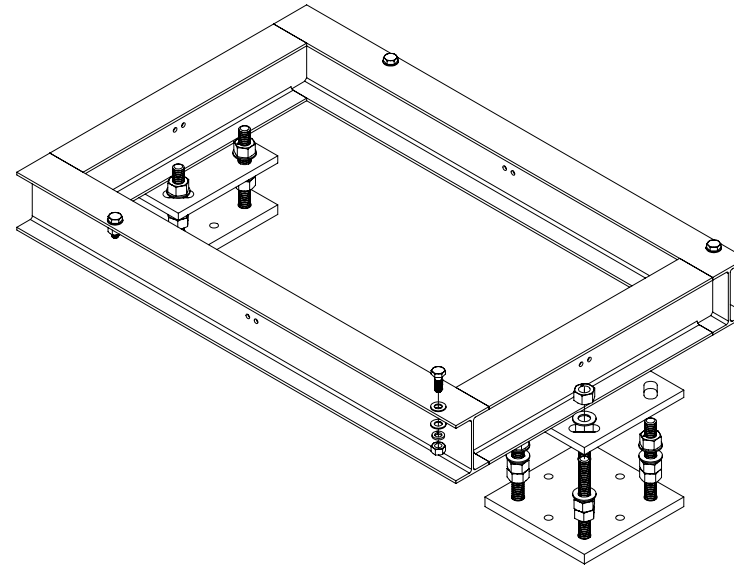
AT&T- CEQ.53678

EMI- [1000-0000-0115](#) ↓

↓ [Click the EMI part number to download drawing.](#)

### Description

Vertical generator plinth for concrete mount 53" x 36" with anchor base plates and leveling hardware.



## 228" x 43 3/8" Generator Plinth Kit

### Part Number

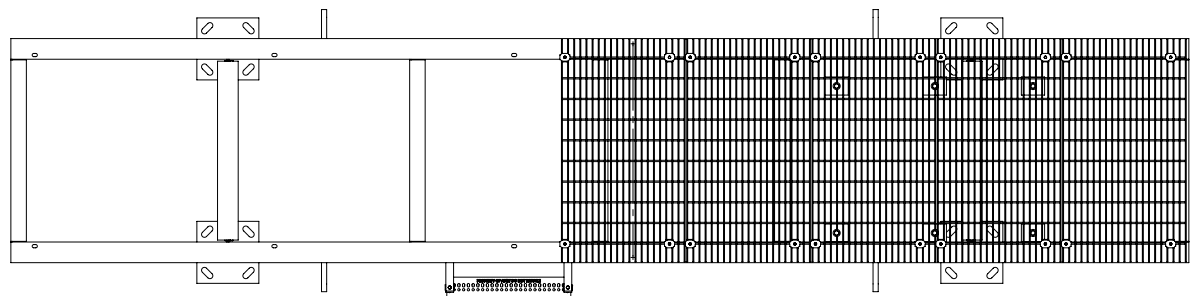
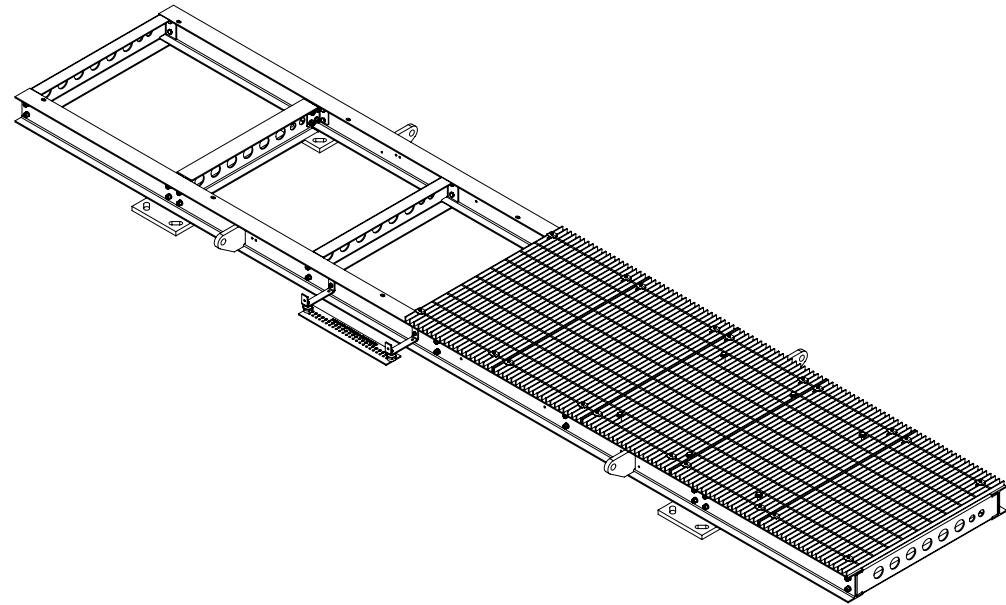
AT&T- NEQ.20738

EMI- W-000-954 ↓

↓ [Click the EMI part number to download drawing.](#)

### Description

Generator rail plinth kit 228" x 43 3/8" platform. Includes genset clamp kit, grating and ground bar kit.



## 48" x 48" WUC Gravity/Pad Mount Platform for Growth

### Part Number

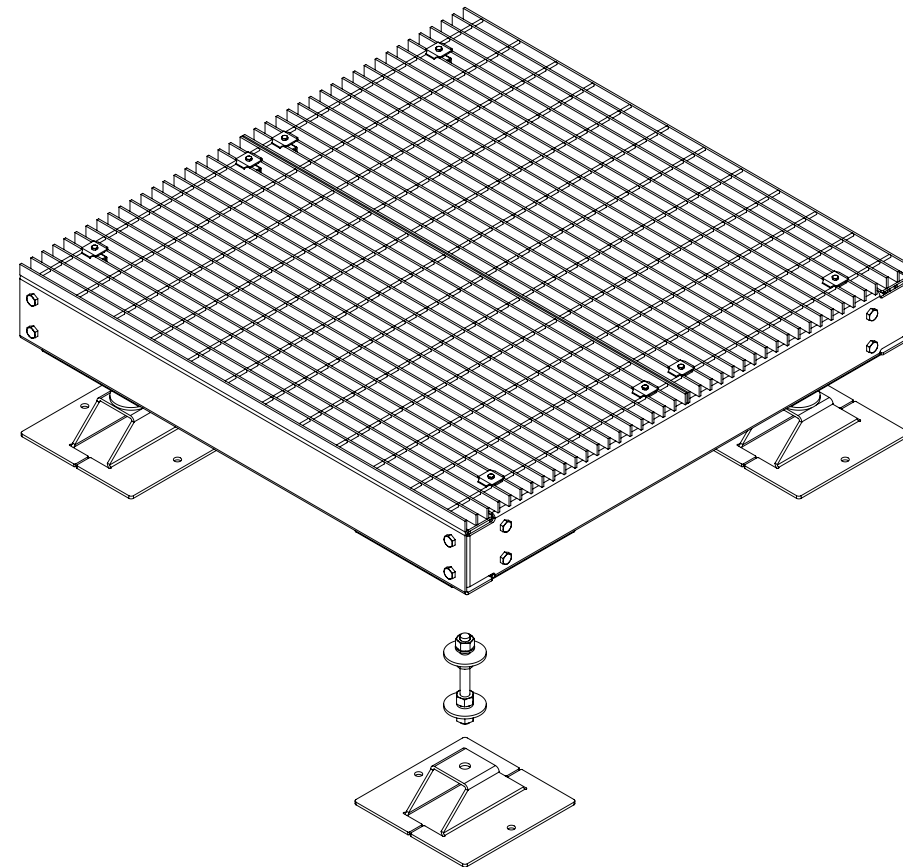
AT&T- CEQ.59358

EMI- [1000-0030-0203](#) ↓

↓ [Click the EMI part number to download drawing.](#)

### Description

48" x 48" WUC/genset gravity mount platform kit with 1" steel grating and 4 leveling feet grade level.





## 6" Diameter x 7' Quad Mount Helical Foundation Kit

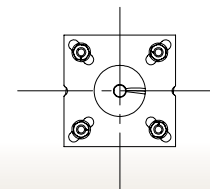
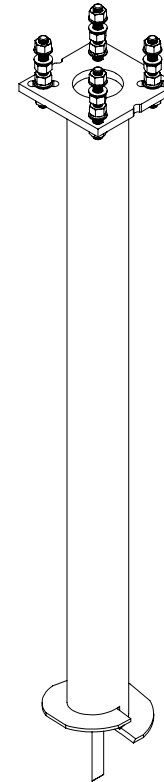
### Part Number

AT&T- CEQ.54367      EMI- [1000-0020-0034](#) ↓

↓ [Click the EMI part number to download drawing.](#)

### Description

6" dia. x 7' high helical foundation (4 unit kit) with quad mount leveling hardware.



## 10" Diameter 10' Single Stud Helical Foundation Kit

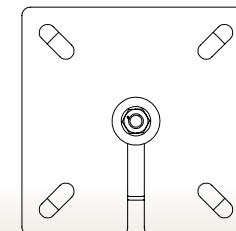
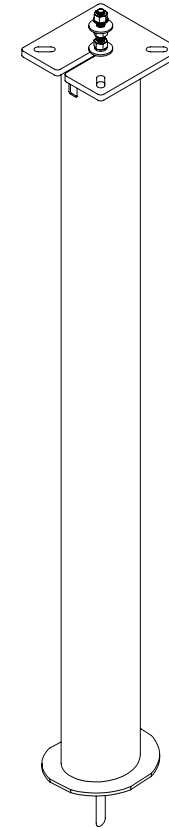
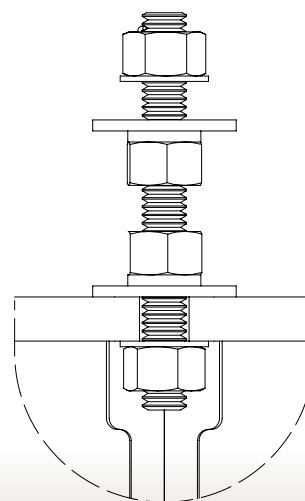
### Part Number

AT&T- CEQ.53658      EMI- [1008-0050-0011](#) ↓

↓ [Click the EMI part number to download drawing.](#)

### Description

10" dia. x 10' high helical foundation (4 unit kit), single stud leveling.



## 10" Diameter 21' Triple Flight Helical Foundation Kit

### Part Number

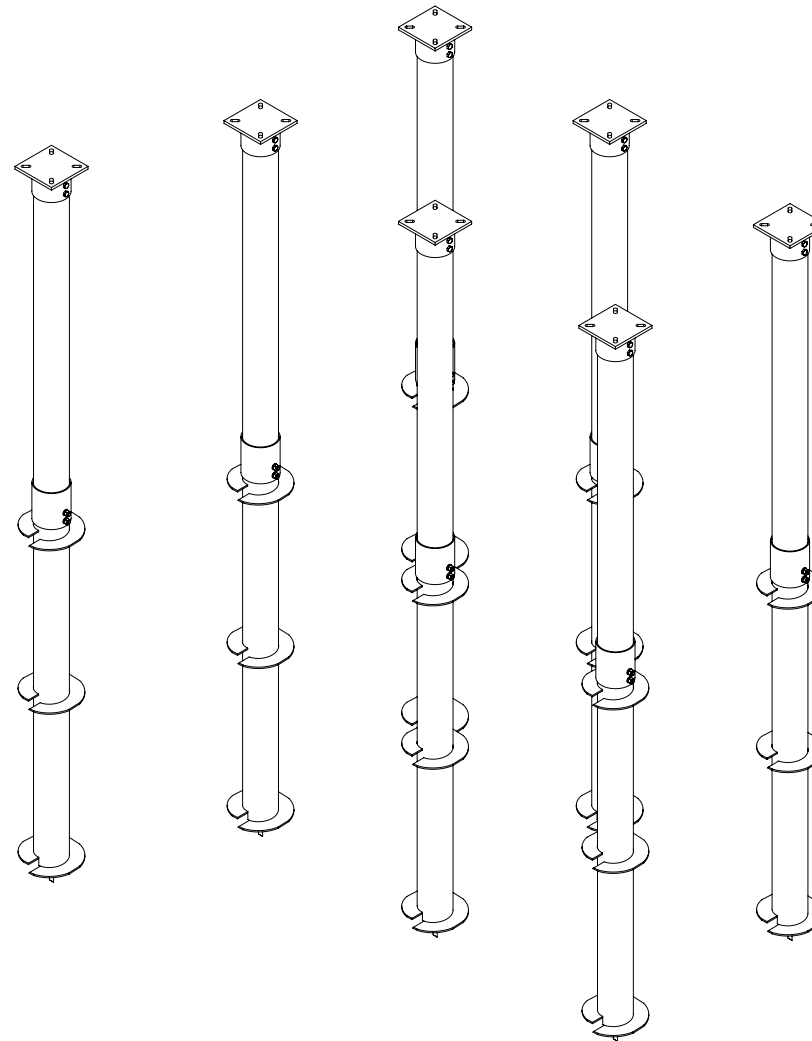
AT&T- CEQ.59815

EMI- [1000-0030-0243](#) ↓

↓ [Click the EMI part number to download drawing.](#)

### Description

10" dia. x 11' high foundation with 10' extension (7 unit kit), quad mount leveling.



## 6" Diameter Pad Mount Extension Single Stud Mount [4 Pk]

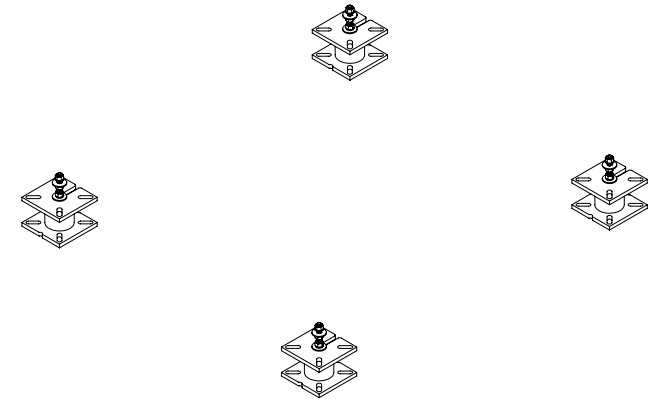
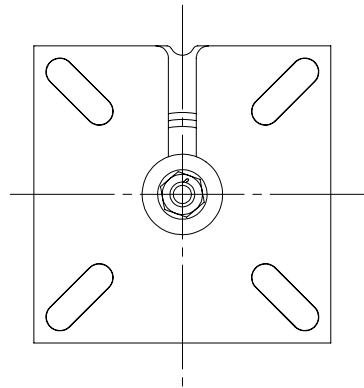
### Part Number

AT&T- CEQ.53682      EMI- 1008-0030-0005 ↓

↓ Click the EMI part number to download drawing.

### Description

6" dia. x 8" high concrete pad mount extension (4 unit kit), with single stud mount leveling hardware.



## 6" Diameter Pad Mount Extension Quad Mount

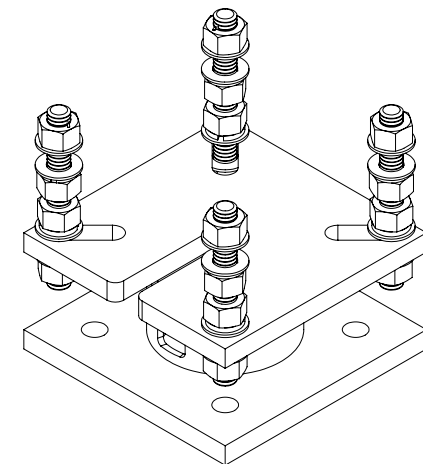
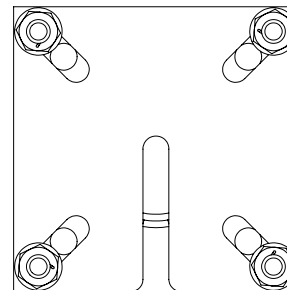
### Part Number

AT&T- CEQ.\*\*\*\*\*      EMI- 1000-0030-0047 ↓

↓ Click the EMI part number to download drawing.

### Description

6" dia. x 6" high concrete pad mount extension with quad mount leveling hardware.



## Single Step Stair Kit

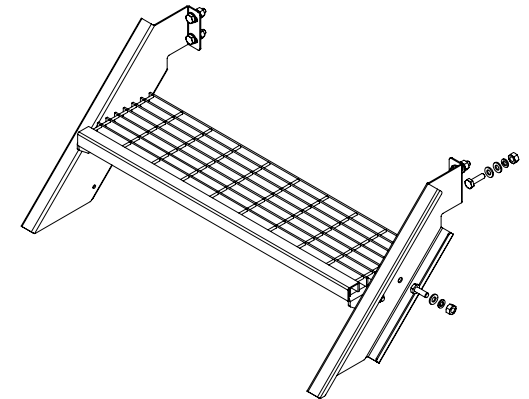
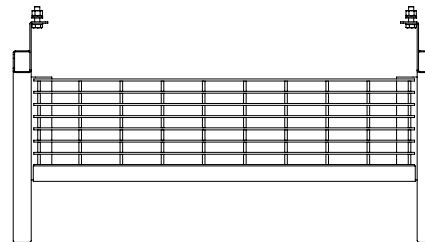
### Part Number

AT&T- CEQ.51664      EMI- [1003-0000-0020](#) ↓

↓ [Click the EMI part number to download drawing.](#)

### Description

WUC single step stair kit 45 degree including hardware.



## WIC & Genset Platform Fully Grated Conversion Kit

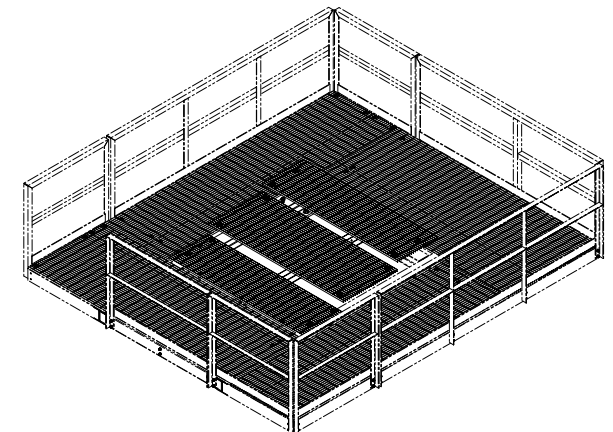
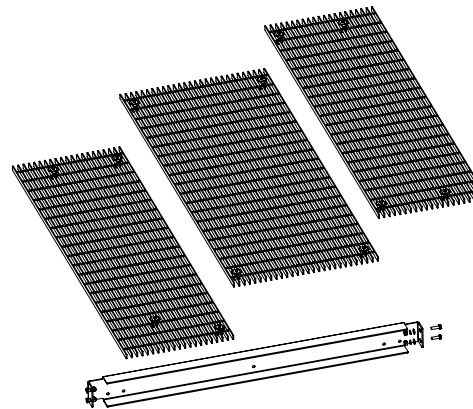
### Part Number

AT&T- CEQ.53677      EMI- [1000-0010-0160](#) ↓

↓ [Click the EMI part number to download drawing.](#)

### Description

Conversion kit to modify 80" x 80" genset platform to fully grated for WUC or cabinet installation.



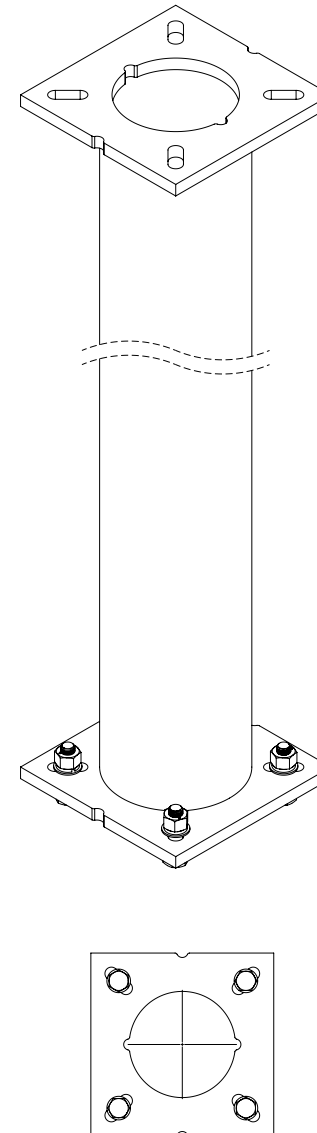
## 10" Diameter Foundation Extensions

Part Number	Elevation
<a href="#">AT&amp;T- CEQ.57167</a> <a href="#">EMI- 1007-T010-0600</a> ↓	5 ft
<a href="#">AT&amp;T- CEQ.57164</a> <a href="#">EMI- 1007-T010-1200</a> ↓	10 ft

↓ [Click the EMI part number to download drawing.](#)

Description
5 & 10 ft. extensions for outdoor elevated WIC-WUC

Special Notes
The linked table drawing <a href="#">1007-T010-0000</a> contains all extension part numbers by elevation.



## Canopy for WIC-WUC Outdoor Platform - 0146

### Part Number

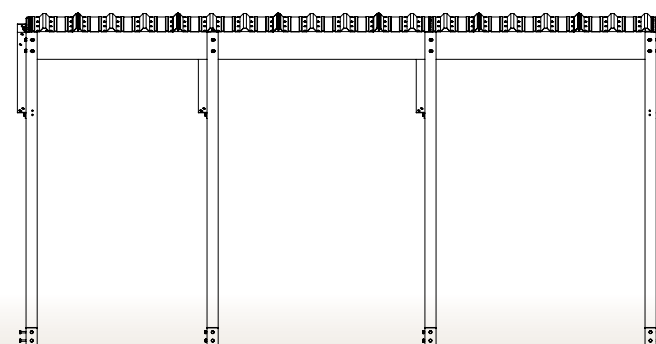
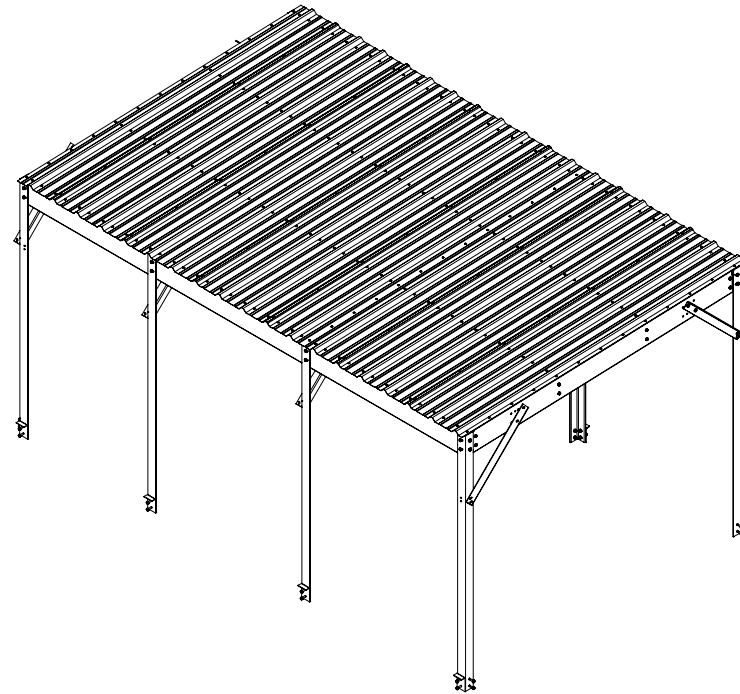
AT&T- CEQ.57485

EMI- [1001-0030-0036](#) ↓

↓ [Click the EMI part number to download drawing.](#)

### Description

184" x 117" bolt together canopy for WIC and WUC outdoor platform series 1000-0010-0146.





## 114" X 144" Pad Mount Canopy

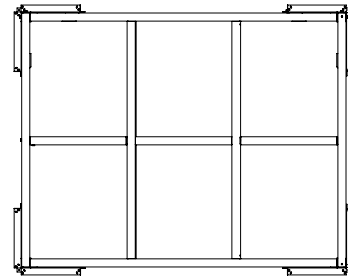
### Part Number

AT&T- CEQ.59292      EMI- [1001-0030-0075](#) ↓

↓ [Click the EMI part number to download drawing.](#)

### Description

114" x 144" Concrete mounted canopy kit.



FRAME ONLY

